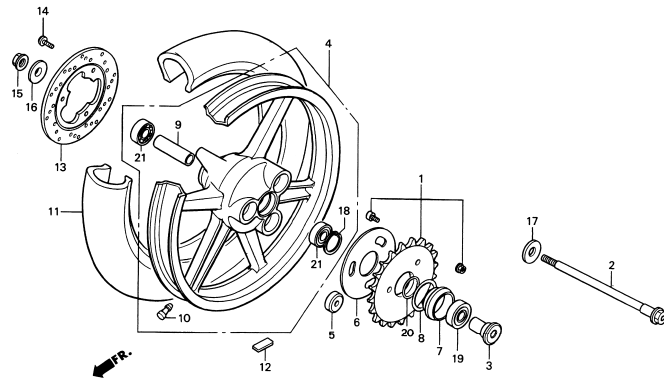


Block No.

F-8

REAR WHEEL

2003 RS125R
2004 RS125R



Ref. No.	Part No.	Description	Reqd. No. '03 '04	Remarks
• 12	42720-NC8-000	WHEIGHT, BALANCE, 10G.....	N N	
•	42721-NC8-000	WHEIGHT, BALANCE, 20G.....	N N	
• 13	43122-NF5-760	DISK, BRAKE.....	1 1	SUS (Steel)
14	90105-KR3-000	BOLT, FRONT DISK, 8X24.....	3 3	
15	90305-GE8-003	U-NUT, 14MM.....	1 1	
• 16	90411-NX4-000	WASHER, 14X32X1.....	1 1	
• 17	90456-NX4-000	WASHER, 18X32X1.....	1 1	
• 18	90652-NF4-000	CIRCLIP, INTERNAL 35.....	1 1	
• 19	91052-NF4-000	BEARING, BALL RADIAL, 6904UU.....	1 1	
20	91357-964-006	O-RING, 31.....	1 1	
21	96140-62020-10	BEARING, BALL RADIAL, 6202U.....	2 2	