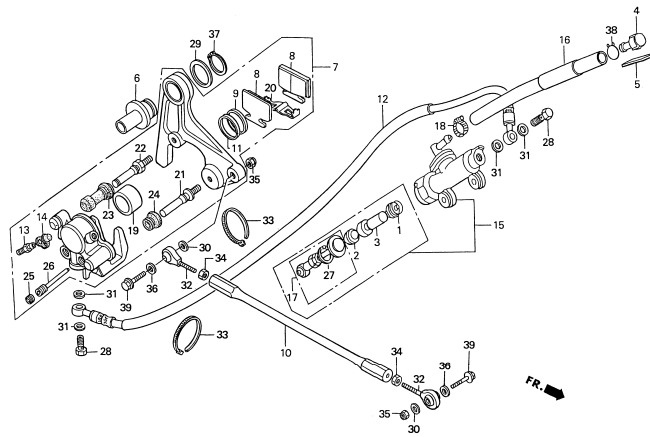


Block No.

**F-7**

**REAR BRAKE CALIPER /  
REAR BRAKE MASTERCYLINDER**

2003 RS125R  
2004 RS125R



Ref. No.	Part No.	Description	Reqd. No. '03 '04	Remarks
21	45131-HA5-672	PIN BOLT, A .....	1 1	
22	45131-166-016	PIN, BOLT .....	1 1	
23	45132-166-016	BUSH, PIN .....	1 1	
24	45133-MA3-006	BOOT, B .....	1 1	
25	45203-MG3-016	PLUG, PIN .....	2 2	
26	45215-GE2-016	HANGER PIN .....	2 2	
27	46182-500-013	CIRCLIP, MASTER CYLINDER .....	1 1	
28	90145-MS9-612	OIL BOLT, 10X22 .....	2 2	
29	90475-425-000	WASHER, THRUST, 30MM .....	1 1	
30	90485-GB4-790	WASHER, 8MM .....	2 2	
31	90601-ZE1-000	WASHER, PLUG, DRAIN, 10MM .....	4 4	
• 32	91048-NX4-710	ROD END, 8MM .....	2 2	
33	91058-MG9-681	BAND, SELF LOCK .....	2 2	
34	94002-08000-0S	NUT, HEX, 8MM .....	2 2	
35	94050-08000	NUT, FLANGE, 8MM .....	2 2	
36	94102-08000	WASHER, PLAIN, 8MM .....	2 2	
37	94510-30000	CIRCLIP, EXTERNAL, 30 .....	1 1	
38	95002-02120	CLIP, B12 TUBE .....	1 1	
39	95801-08035-00	BOLT, FLANGE, 8X35 .....	2 2	