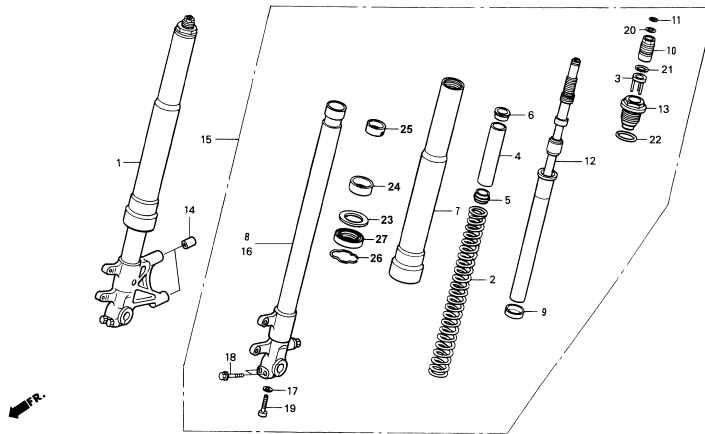


Block No.  
**F-5-1**  
**FRONT FORK**  
  
 2004 RS125R



Ref. No.	Part No.	Description	Reqd. No. '03 '04	Remarks
• 1	51400-NX4-861	FORK ASSY., R. FRONT .....	1	
• 2	51401-NX4-003	SPRING, FRONT FORK .....	2	K=0,6
•	51402-NX4-003	SPRING, FRONT FORK H .....	(2)	K=0,65
•	51403-NX4-003	SPRING, FRONT FORK S .....	(2)	K=0,55
• 3	51404-NF5-611	PLATE COMP., SPRING ADJUST .....	2	
• 4	51404-NX4-003	COLLAR, SPRING .....	2	
• 5	51405-NX4-003	PLATE, SPRING JOINT .....	2	
• 6	51406-NX4-003	STOPPER, SPRING SEAT .....	2	
• 7	51410-NX4-861	TUBE, OUTER .....	2	
• 8	51420-NX4-861	PIPE COMP., R. SLIDE .....	1	
• 9	51421-MW4-003	PLATE, CENTERING .....	2	
• 10	51422-NF5-611	ADJUSTER, SPRING .....	2	
• 11	51423-NF5-611	RING B, STOPPER .....	2	
• 12	51430-NX4-861	DAMPER COMP., FRONT .....	2	
• 13	51454-NX4-003	BOLT, FRONT FORK .....	2	
• 14	51497-MEL-000	SPACER, FR. FORK .....	2	
• 15	51500-NX4-861	FORK ASSY., L. FRONT .....	1	
• 16	51520-NX4-861	PIPE COMP., L. SLIDE .....	1	
• 17	52442-KA3-711	WASHER, SPECIAL, 10MM .....	2	
• 18	90107-KF0-000	BOLT, FLANGE, DR, 8X40 .....	4	