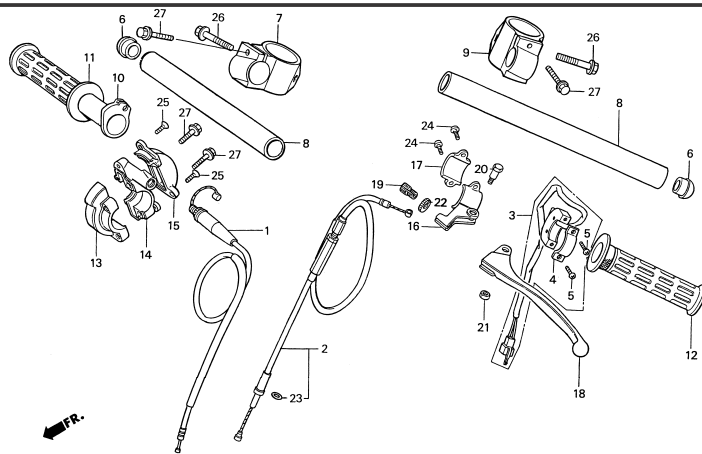


Block No.

**F-2**

**CABLE / SWITCH /  
HANDLEBAR (HANDLE PIPE)**

2003 RS125R  
2004 RS125R



Ref. No.	Part No.	Description	Reqd. No. '03 '04	Remarks
• 1	17910-NX4-780	CABLE COMP., THROTTLE .....	1 1	
• 2	22870-NX4-810	CABLE COMP., CLUTCH.....	1 1	
• 3	35130-NX4-000	SWITCH ASSY., ENGINE STOP .....	1 1	
4	35132-KR5-013	PLATE, SET .....	1 1	
5	35133-KJ2-003	SCREW, PAN, 4X12.....	2 2	
• 6	53105-NF4-770	CAP, HANDLE PIPE.....	2 2	
• 7	53110-NX4-000	HOLDER, R. HANDLE.....	1 1	
• 8	53111-NX4-000	PIPE, HANDLE.....	2 2	
• 9	53120-NX4-000	HOLDER, L. HANDLE.....	1 1	
• 10	53141-NF4-003	PIPE, THROTTLE GRIP.....	1 1	
11	53165-422-000	GRIP, R. HANDLE.....	1 1	
12	53166-422-000	GRIP, L. HANDLE.....	1 1	
13	53167-KS6-000	HOUSING, A GRIP .....	1 1	
14	53168-KS6-000	HOUSING, B GRIP .....	1 1	
15	53169-ML3-790	COVER, HOUSING B.....	1 1	
16	53172-430-003	BRACKET, L. HANDLE LEVER.....	1 1	
17	53173-376-000	HOLDER, LEVER BRACKET.....	1 1	
18	53178-399-700	LEVER, L. STEERING HANDLE.....	1 1	
19	53192-KA3-700	BOLT, WIRE ADJUST .....	1 1	
20	90114-310-000	BOLT, HANDLE LEVER PIVOT.....	1 1	