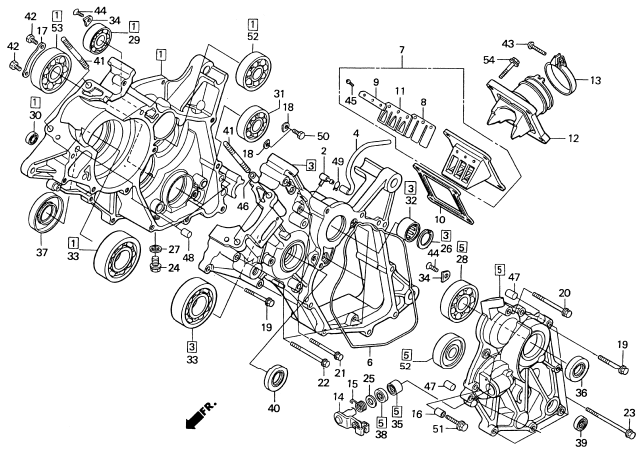


Block No.

E-6
CRANKCASE

2003 RS125R
2004 RS125R



Ref. No.	Part No.	Description	Reqd. No. '03 '04	Remarks
41	92900-08040-3E	BOLT, STUD 2.8X40.....	4 4	
42	93301-06012-0A	BOLT, HEX., 6X12.....	2 2	
43	93500-05028-0A	SCREW, PAN, 5X28.....	1 1	
44	93600-06012-0A	SCREW, FLAT, 6X12.....	2 2	
45	93892-03008-08	SCREW-WASHER, 3X8.....	6 6	
46	94301-10160	DOWEL PIN, 10X16.....	2 2	
47	94303-06100	DOWEL PIN, 6X10.....	2 2	
48	94303-08140	DOWEL PIN, 8X14.....	2 2	
49	95002-02070	CLIP B7, TUBE.....	1 1	
50	96001-06012-00	BOLT, FLANGE, SH, 6X12.....	2 2	
51	96001-06025-07	BOLT, FLANGE, SH, 6X25.....	1 1	
52	96120-62030-00	BEARING, BALL RADIAL, 6203Z.....	2 2	
53	96120-62040-00	BEARING, BALL RADIAL, 6204Z.....	1 1	
54	96300-06022-00	BOLT, FLANGE, DR, 6X22.....	4 4	