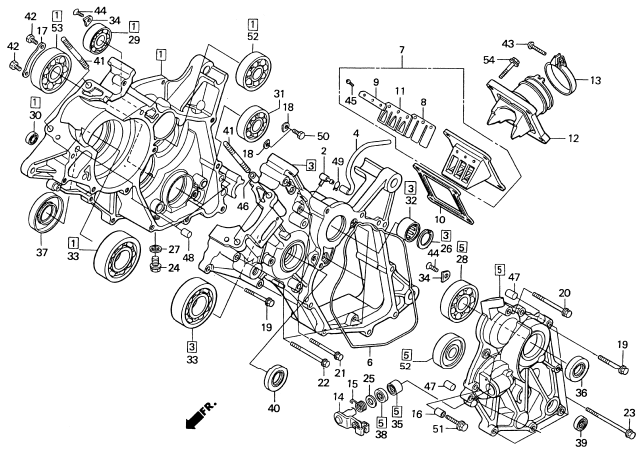


Block No.

E-6
CRANKCASE

2003 RS125R
2004 RS125R



Ref. No.	Part No.	Description	Reqd. No. '03 '04	Remarks
• 1	11100-NX4-710	CRANKCASE COMP., R.....	1 1	
2	11106-GM2-300	JOINT, BREATHER.....	1 1	
• 3	11200-NX4-780	CRANKCASE COMP., L.....	1 1	
• 4	11206-NX4-770	TUBE, BREATHER.....	1 1	
• 5	11310-NX4-810	COVER COMP., L, CRANKCASE.....	1 1	
• 6	11315-NX4-000	O-RING, L. COVER.....	1 1	
• 7	14100-NX4-811	VALVE ASSY., REED.....	1 1	
• 8	14111-NF5-000	REED VALVE ONLY.....	2 2	
• 9	14121-NX4-003	STOPPER, REED VALVE.....	2 2	
• 10	14132-NF4-651	GASKET, REED VALVE.....	1 1	
• 11	14141-NX4-811	DAMPER, REED.....	2 2	
• 12	16210-NX4-780	INSULATOR, CARBURETOR.....	1 1	
13	16223-KA5-690	BAND, INSULATOR.....	1 1	
14	22810-KS6-700	LIFTER COMP., CLUTCH.....	1 1	
15	22815-KS6-700	SPRING, CLUTCH LEVER.....	1 1	
• 16	22819-NX4-000	STOPPER COLLAR, CLUTCH LIFTER.....	1 1	
17	23521-HB6-000	PLATE, BEARING SET.....	1 1	
18	23521-KW3-000	BEARING SET PLATE A.....	2 2	
19	90001-GHB-670	BOLT, FLANGE, SHF, 6X25.....	5 5	
20	90001-GHB-720	BOLT, FLANGE, SHF, 6X45.....	1 1	