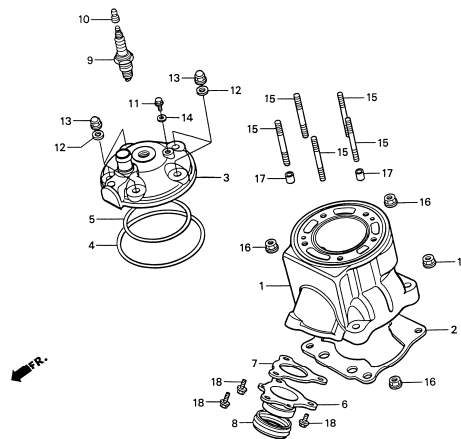


Block No.

E-1

CYLINDER / CYLINDER HEAD

2003 RS125R
2004 RS125R



Ref. No.	Part No.	Description	Reqd. No. '03 '04	Remarks
• 1	12100-NX4-810	CYLINDER COMP.....	1 1	
• 2	12194-NX4-781	GASKET, CYLINDER 0.4T.....	(1) (1)	
•	12195-NX4-781	GASKET, CYLINDER 0.5T.....	1 1	
•	12196-NX4-781	GASKET, CYLINDER 0.6T.....	(1) (1)	
• 3	12200-NX4-710	HEAD COMP., CYLINDER.....	1 1	
• 4	12212-ND5-003	O-RING, 96X2.4.....	1 1	
• 5	12213-ND5-000	O-RING, 61X1.9.....	1 1	
• 6	18220-NX4-000	JOINT COMP., EXHAUST PIPE.....	1 1	
• 7	18331-NF4-780	GASKET, EXHAUST JOINT.....	1 1	
8	18359-KS7-000	SEAL, EXHAUST PIPE.....	1 1	
• 9	31901-NX4-701	SPARK PLUG, R6385-105P.....	1 1	
•	31902-NX4-701	SPARK PLUG, R6385-11P.....	(1) (1)	
•	31903-NX4-701	SPARK PLUG, R6385-10P.....	(1) (1)	
• 10	31910-NF4-000	NUT, SPARK PLUG.....	(1) (1)	
• 11	90037-NX5-000	BOLT, WATER CHECK 6X10.....	1 1	
12	90441-422-000	WASHER, SEALING, 8MM.....	5 5	
13	90443-107-000	NUT, CAP, 8MM.....	5 5	
14	90543-273-000	PACKING, FRONT FORK DRAIN VALVE.....	1 1	
15	92900-08028-0E	BOLT, STUD II, 8X28.....	5 5	
16	94050-08000	NUT, FLANGE, 8MM.....	4 4	