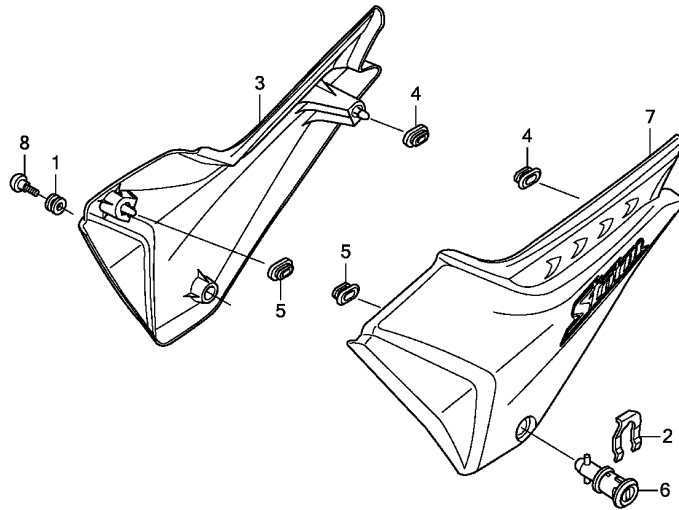


F-16-1

SIDE COVER(GLH125SH)

K13



KVCSF1601

Ref. No.	L.O.N.	(Relative ref. Number) Description	F.R.T.
3	4111H9	COVER, SIDE :RIGHT	0.1
6	4111P0	LOCK, SIDE COVER	0.1
7	4111H8	COVER, SIDE :LEFT	0.1
	4111J0	COVER, SIDE :BOTH	0.1

Ref. No.	Part No.	Description	Reqd. QTY				Serial No.	Parts catalogue code
			GLH125					
			1/2SH	1/2/3SH	1/2SH	SH		
			7	8	A	C		
1	64310-124-000	RUBBER, FR. COVER MOUNTING ..	-	-	-	1		
2	75581-KSY-900	SPRING, LOCK KEY SETTING	-	-	-	1		
3	83520-KVC-A00ZA	COVER SET, R. SIDE(WL)	-	-	-	1		
		TYPE2	-	-	-	1	-----	2AG,2CL,2LA,2PE,3AG,3LA,4AG,4LA,AG,CL,LA,PE
	83520-KVC-A00ZB	*TYPE1*	-	-	-	1	-----	2AG,2CL,2LA,2PE,3AG,3LA,4AG,4LA,AG,CL,LA,PE
	83520-KVC-A40ZA	*TYPE3*	-	-	-	1	-----	2TU,2U
	83520-KVC-A40ZB	*TYPE2*	-	-	-	1	-----	2TU,2U
	83520-KVC-A40ZC	*TYPE1*	-	-	-	1	-----	2TU,2U
4	83542-KPN-900	GROMMET, SIDE COVER	-	-	-	2		
5	83551-GE2-000	GROMMET, AIR CLEANER CASE ...	-	-	-	2		
6	83560-KPN-A01	LOCK ASSY., SIDE COVER	-	-	-	1		
7	83620-KVC-A00ZA	COVER SET, L. SIDE(WL)	-	-	-	1		
		TYPE2	-	-	-	1	-----	2AG,2CL,2LA,2PE,3AG,3LA,4AG,4LA,AG,CL,LA,PE
	83620-KVC-A00ZB	*TYPE1*	-	-	-	1	-----	2AG,2CL,2LA,2PE,3AG,3LA,4AG,4LA,AG,CL,LA,PE
	83620-KVC-A40ZA	*TYPE3*	-	-	-	1	-----	2TU,2U
	83620-KVC-A40ZB	*TYPE2*	-	-	-	1	-----	2TU,2U
	83620-KVC-A40ZC	*TYPE1*	-	-	-	1	-----	2TU,2U
8	90104-KYA-600	SCREW, SPECIAL, 6X24	-	-	-	1		

3