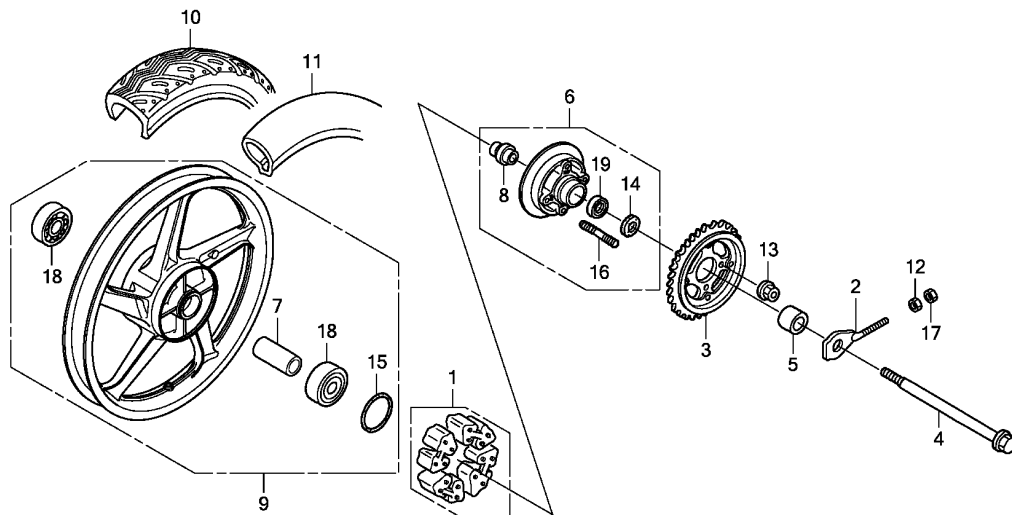


# F-13-1

# REAR WHEEL(GLH125SH)

**K 3**



KVCSF1301

Ref. No.	L.O.N.	(Relative ref. Number) Description	F.R.T.
1	710157	DAMPER, REAR WHEEL .....	0.3
3	7101A0	SPROCKET, FINAL DRIVEN .....	0.4
4	710160	AXLE, REAR WHEEL .....	0.3
6	7101A5	FLANGE ASSY., FINAL DRIVEN ...	0.4
9	710118	REAR WHEEL .....	0.8
10	710142	REAR TIRE(ONE) .....	0.8
11	7101A7	TUBE, REAR TIRE(ONE) .....	0.8
18		(?)	
	710133	BEARING, REAR WHEEL(ONE) .....	0.5
	710133G	.Replace 1 bearing add .....	0.1
19	7101D1	BEARING, FINAL DRIVEN FLANGE ..	0.5

Ref. No.	Part No.	Description	Reqd. QTY				Serial No.	Parts catalogue code
			GLH125					
			1/2SH	1/2/3SH	1/2SH	SH		
			7	8	A	C		
1	06410-KSP-900	DAMPER SET, WHEEL .....	-	-	-	1		
2	40543-KPN-A00	ADJUSTER, CHAIN .....	-	-	-	1		
3	41200-KPN-A00	SPROCKET COMP., FINAL DRIVEN (45T)	-	-	-	1	-----	2AG,2CL,2LA,2PE,3AG,3LA,4AG,4LA,AG,CL,LA,PE
	41200-KVC-A40	.....	-	-	-	1	-----	2TU,2U
4	42301-KVX-600	AXLE, RR. WHEEL .....	-	-	-	1		
5	42311-KVX-600	COLLAR, L. RR. WHEEL SIDE ...	-	-	-	1		
6	42615-KYA-600ZC	FLANGE SUB ASSY., RR. DRIVEN *NH303M*	-	-	-	1		
		MAT AXIS GRAY METALLIC	-	-	-	1		
7	42620-KVX-600	COLLAR, RR. AXLE DISTANCE ...	-	-	-	1		
8	42625-KTT-900	COLLAR B, RR. AXLE DISTANCE ..	-	-	-	1		
9	42650-KYA-610ZC	WHEEL SUB ASSY., RR. *NH303M*	-	-	-	1		
		MAT AXIS GRAY METALLIC	-	-	-	1		
10	42711-KTJ-C60	TIRE, RR.(KENDA) (90/90-18M/C 51P)	-	-	-	1	-----	2AG,2CL,2LA,2PE,3AG,3LA,4AG,4LA,AG,CL,LA,PE
	42711-KVC-A40	.....	-	-	-	1	-----	2TU,2U
11	42712-KTJ-C60	TUBE, TIRE(KENDA)(3.00-18) ..	-	-	-	1	-----	2AG,2CL,2LA,2PE,3AG,3LA,4AG,4LA,AG,CL,LA,PE
	42712-KTJ-901	.....	-	-	-	1	-----	2TU,2U
12	90302-KBP-900	NUT, SPECIAL, 6MM .....	-	-	-	1		
13	90304-KYA-601	NUT, FLANGE, 10MM(PT) .....	-	-	-	4		
14	91252-KYA-600	DUST SEAL, 31X47X7 .....	-	-	-	1		
15	91352-KSP-900	O-RING, 51X2 .....	-	-	-	1		
16	92915-10025-OE	BOLT, STUD, 10X25 .....	-	-	-	4		
17	94001-06000-0S	NUT, HEX., 6MM .....	-	-	-	1		

**3**