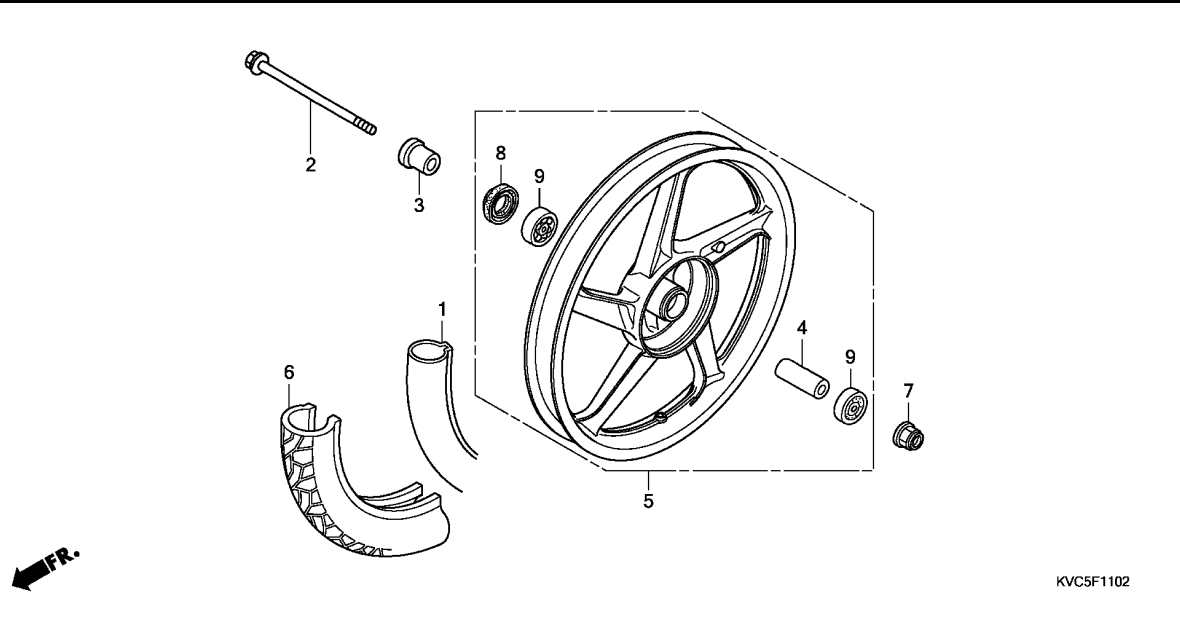


F-11-2

FRONT WHEEL(GLH125SH)(DRUM BRAKE)

J13



Ref. No.	L.O.N.	(Relative ref. Number) Description	F.R.T.
1	710140	TUBE, FRONT TIRE(ONE) .....	0.7
2	710151	AXLE, FRONT WHEEL .....	0.2
5	7101D4	FRONT WHEEL .....	0.7
6	710139	FRONT TIRE(ONE) .....	0.7
9		(4)	
	710115	BEARING, FRONT WHEEL(ONE) ....	0.4
	710115G	.ReplacE 1 bearing add .....	0.1

Ref. No.	Part No.	Description	Reqd. QTY				Serial No.	Parts catalogue code
			GLH125	1/2SH	1/2/3SH	1/2SH SH		
			7	8	A	C		
1	42712-KTJ-C60	TUBE, TIRE(KENDA)(3.00-18) ..	-	-	-	1	-----	3AG,3LA,AG,CL,LA,PE
2	44301-KTT-900	AXLE, FR. WHEEL .....	-	-	-	1	-----	3AG,3LA,AG,CL,LA,PE
3	44311-KTJ-900	COLLAR, FR. WHEEL SIDE .....	-	-	-	1	-----	3AG,3LA,AG,CL,LA,PE
4	44620-KVX-600	COLLAR, FR. AXLE DISTANCE ...	-	-	-	1	-----	3AG,3LA,AG,CL,LA,PE
5	44650-KYA-610ZC	WHEEL SUB ASSY., FR. *NH303M*	-	-	-	1	-----	3AG,3LA,AG,CL,LA,PE
		MAT AXIS GRAY METALLIC	-	-	-	1	-----	3AG,3LA,AG,CL,LA,PE
6	44711-KPN-A00	TIRE, FR.(KENDA) (80/100-18 M/C 47P)	-	-	-	1	-----	3AG,3LA,AG,CL,LA,PE
7	90306-KYA-601	NUT, FLANGE, 12MM(PT) .....	-	-	-	1	-----	3AG,3LA,AG,CL,LA,PE
8	90755-KVX-700	OIL SEAL, 21X37X7 .....	-	-	-	1	-----	3AG,3LA,AG,CL,LA,PE
9	96140-63010-10	BEARING, RADIAL BALL, 6301U ..	-	-	-	2	-----	3AG,3LA,AG,CL,LA,PE

3