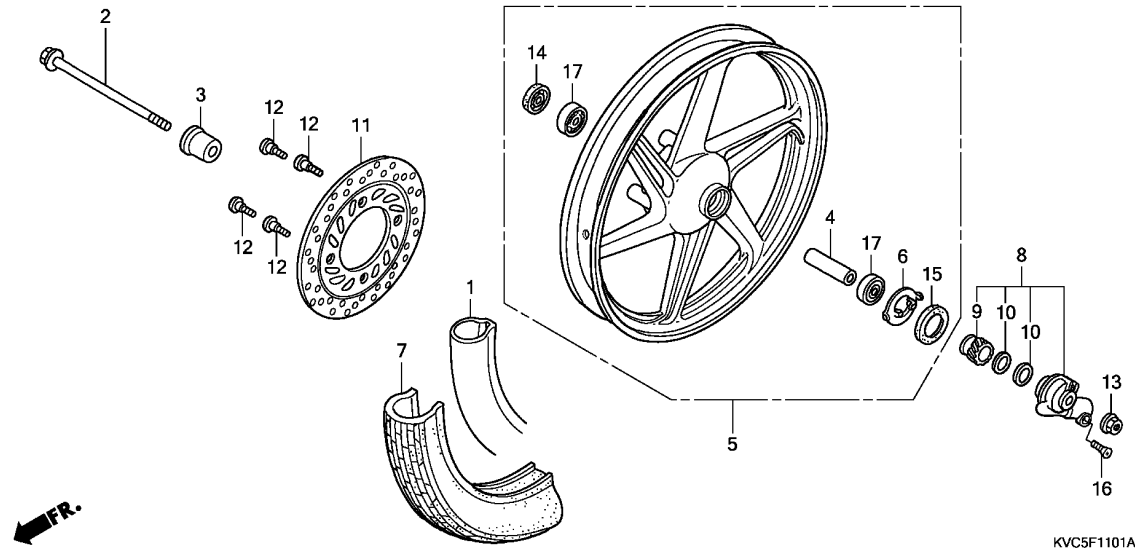


F-11-1

FRONT WHEEL(GLH1251SH/3SH)(DISK BRAKE)

J12



Ref. No.	L.O.N.	(Relative ref. Number) Description	F.R.T.
1	710140	TUBE, FRONT TIRE(ONE)	0.7
2	710151	AXLE, FRONT WHEEL	0.2
5	7101D4	FRONT WHEEL	0.8
7	710139	FRONT TIRE(ONE)	0.7
8	710145	GEARBOX ASSY., SPEEDOMETER ...	0.2
11	711120	DISC, FRONT BRAKE	0.3
17		(4)	
	710115	BEARING, FRONT WHEEL(ONE)	0.4
	710115G	.Replace 1 bearing add	0.1

Ref. No.	Part No.	Description	Reqd. QTY				Serial No.	Parts catalogue code
			GLH125					
			1/2SH	1/2/3SH	1/2SH	SH		
			7	8	A	C		
1	42712-KTJ-870	TUBE, TIRE(KENDA)(3.00-18) ..	1	1	1	-	-----	1C0,1SA,3SA
	42712-KTJ-901	-	-	1	-	-----	1C0
2	44301-KRF-S00	AXLE, FR. WHEEL	1	1	-	-	-----	1C0,1SA,3SA
	44301-KRF-C30	-	-	1	-	-----	1C0
3	44311-KTJ-900	COLLAR, FR. WHEEL SIDE	1	1	1	-	-----	1C0,1SA,3SA
4	44620-KRF-B40	COLLAR, FR. AXLE DISTANCE ...	1	1	1	-	-----	1C0,1SA,3SA
5	44650-KVC-900	WHEEL SUB ASSY., FR.	1	1	-	-	-----	1C0,1SA,3SA
	44650-KVC-C20	-	-	1	-	-----	1C0
6	44680-410-000	RETAINER, GEAR BOX	1	1	1	-	-----	1C0,1SA,3SA
7	44711-KTJ-870	TIRE, FR.(KENDA) (80/100-18M/C 47P)	1	1	1	-	-----	1C0,1SA,3SA
	44711-KTJ-901	TIRE, FR.(KENDA) (80/100-18 M/C 47P)	-	-	1	-	-----	1C0
8	44800-KEH-930	BOX ASSY., SPEEDOMETER GEAR .	1	1	1	-	-----	1C0,1SA,3SA
9	44806-KEH-930	GEAR, SPEEDOMETER	1	1	1	-	-----	1C0,1SA,3SA
10	44808-KEH-930	WASHER, GEAR	2	2	2	-	-----	1C0,1SA,3SA
11	45251-KEW-670	DISK, FR. BRAKE	1	1	1	-	-----	1C0,1SA,3SA
12	90105-MBB-000	BOLT, BRAKE DISK, 8X24	4	4	4	-	-----	1C0,1SA,3SA
13	90307-KRF-S00	NUT, SPECIAL, 12MM	1	1	1	-	-----	1C0,1SA,3SA
14	90755-KRS-830	OIL SEAL, 21X37X7	1	1	1	-	-----	1C0,1SA,3SA
15	91258-KRS-850	DUST SEAL, 40X50X5	1	1	1	-	-----	1C0,1SA,3SA
16	93700-05016-0A	SCREW, OVAL, 5X16	1	1	1	-	-----	1C0,1SA,3SA
17	96140-63010-10	BEARING, RADIAL BALL, 6301U .	2	2	2	-	-----	1C0,1SA,3SA