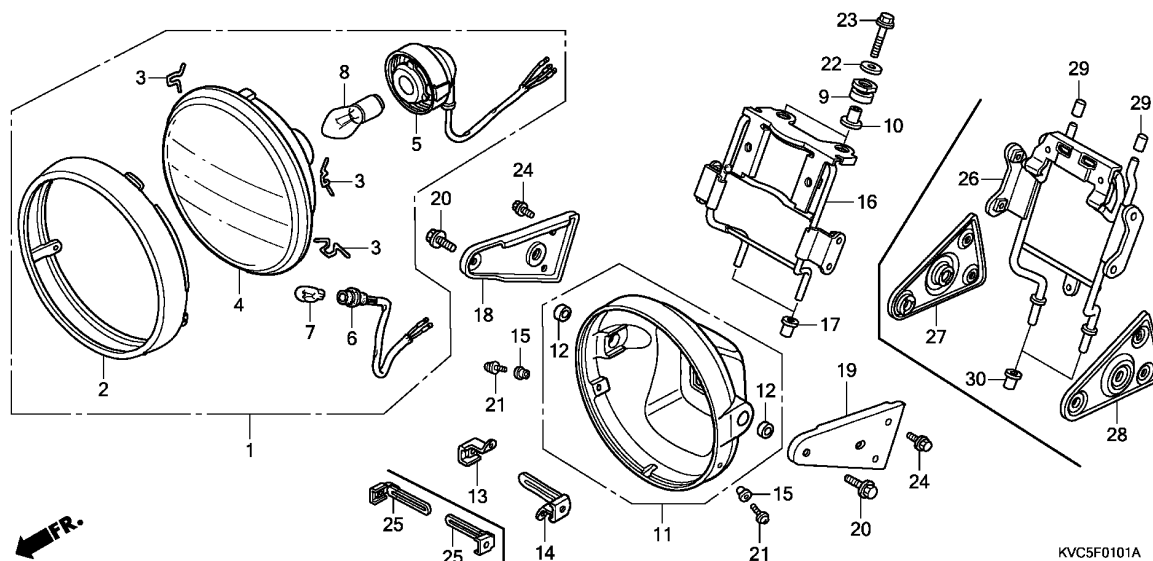


F-1-1

HEADLIGHT(2)

1 2



Ref. No.	L.O.N.	(Relative ref. Number) Description	F.R.T.
1	616115	HEADLIGHT ASSEMBLY (2)	0.1
4	6161A7	HEADLIGHT UNIT	0.2
5	6161B1	SOCKET, HEADLIGHT	0.2
6	616180	SOCKET, POSITION LIGHT	0.2
7	616182	BULB, POSITION LIGHT	0.1
8	616118	BULB, HEADLIGHT	0.1
11	616103	CASE, HEADLIGHT (26)	0.3
16	6161G7	STAY, HEADLIGHT (27)	0.7
18	6161L6	PLATE, HEADLIGHT :RIGHT (28)	0.3
19	6161L5	PLATE, HEADLIGHT :LEFT	0.3
	6161L7	PLATE, HEADLIGHT :BOTH	0.4

Ref. No.	Part No.	Description	Reqd. QTY				Serial No.	Parts catalogue code
			GLH125 1/2SH	1/2/3SH	1/2SH	SH		
			7	8	A	C		
1	33100-KTJ-850	HEADLIGHT ASSY.(12V 35/35W)	-	-	1	-		
	33100-KPN-B01	-	-	-	1	----- 2AG,2LA,3AG,3LA,4AG,4LA,AG,LA	
	33100-KVC-690	-	-	-	1	----- 2U	
2	33101-KTJ-850	RIM COMP., HEADLIGHT	-	-	1	-		
	33101-KPN-J81	-	-	-	1	----- 2AG,2LA,2U,3AG,3LA,4AG,4LA,AG,LA	
3	33108-KTJ-850	SPRING, UNIT HOLDER	-	-	3	-		
	33108-KPN-J81	-	-	-	3	----- 2AG,2LA,2U,3AG,3LA,4AG,4LA,AG,LA	
4	33120-KTJ-850	HEADLIGHT UNIT	-	-	1	-		
	33120-KPN-J81	-	-	-	1	----- 2AG,2LA,3AG,3LA,4AG,4LA,AG,LA	
	33120-KVC-690	-	-	-	1	----- 2U	
5	33130-KTJ-850	SOCKET ASSY., HEADLIGHT	-	-	1	-		
	33130-KPN-B01	-	-	-	1	----- 2AG,2LA,2U,3AG,3LA,4AG,4LA,AG,LA	
6	33150-KTJ-850	SOCKET COMP., POSITION LIGHT	-	-	1	-		
	33150-KPN-B01	-	-	-	1	----- 2AG,2LA,2U,3AG,3LA,4AG,4LA,AG,LA	
7	33301-KPN-710	BULB(12V 5W)	-	-	1	-		
	33301-KVJ-911	BULB, POSITION LIGHT(12V 5W)	-	-	-	1	----- 2AG,2LA,2U,3AG,3LA,4AG,4LA,AG,LA	
8	34901-KCS-920	BULB, HEADLIGHT(12V 35/35W)	-	-	1	-		
	34901-KPN-B01	-	-	-	1	----- 2AG,2LA,2U,3AG,3LA,4AG,4LA,AG,LA	
9	37242-435-700	RUBBER, SPEEDOMETER MOUNTING	-	-	2	-		
10	50324-425-010	COLLAR, 6.3X13	-	-	2	-		
11	61300-KTJ-850	CASE, HEADLIGHT	-	-	1	-		
	61300-KVX-600	-	-	-	1	----- 2AG,2LA,2U,3AG,3LA,4AG,4LA,AG,LA	
12	61302-KBW-900	COLLAR, HEADLIGHT CASE	-	-	2	2	----- 1CO,2AG,2CO,2LA,2U,3AG,3LA,4AG,4LA,AG,LA	
13	61303-KTJ-940	NUT, R. HEADLIGHT CASE	-	-	1	-		
14	61304-KTJ-940	NUT, L. HEADLIGHT CASE	-	-	1	-		
15	61304-379-690	COLLAR, HEADLIGHT SETTING	-	-	2	2	----- 1CO,2AG,2CO,2LA,2U,3AG,3LA,4AG,4LA,AG,LA	

3