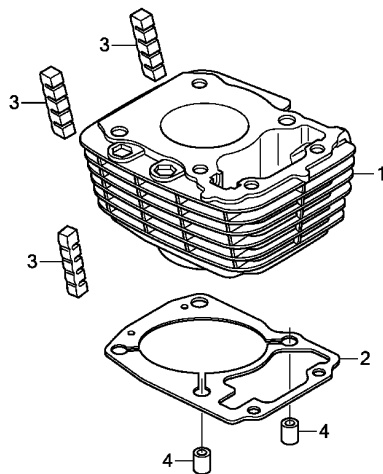


E-4-1

CYLINDER(GLH125SH)

F11



KVC5E0401

Ref. No.	L.O.N.	(Relative ref. Number) Description	F.R.T.
1	1111A5	CYLINDER	1.7
2	111102	GASKET, CYLINDER	1.6

Ref. No.	Part No.	Description	Reqd. QTY				Serial No.	Parts catalogue code
			GLH125 1/2SH	1/2/3SH	1/2SH	SH		
			7	8	A	C		
1	12100-KVX-600	CYLINDER COMP.	-	-	-	-	1	
2	12191-KWK-900	GASKET, CYLINDER	-	-	-	-	1	
3	12195-KTE-910	RUBBER, INSERT	-	-	-	-	3	
4	90703-KRM-840	DOWEL PIN, 10X12	-	-	-	-	2	

2