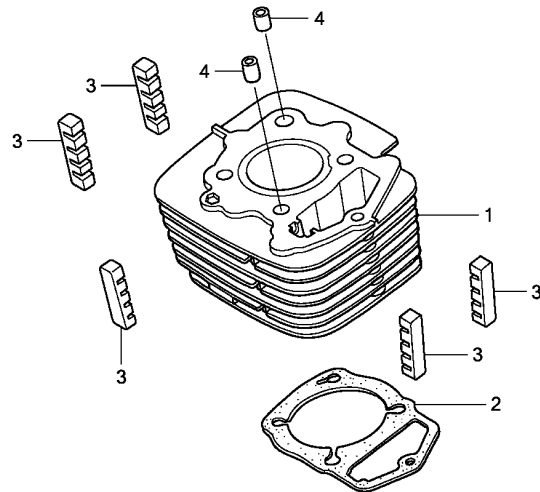


E-4

CYLINDER(GLH1251SH/2SH/3SH)

F10



← IFR.

KVC5E0400

Ref. No.	L.O.N.	(Relative ref. Number) Description	F.R.T.
1	1111A5	CYLINDERINCLUDES: Engine removal and installation	3.0
2	111102	GASKET, CYLINDERINCLUDES: Engine removal and installation	2.9

Ref. No.	Part No.	Description	Reqd. QTY				Serial No.	Parts catalogue code
			GLH125					
			1/2SH	1/2/3SH	1/2SH	SH		
			7	8	A	C		
1	12100-KVC-900	CYLINDER COMP.	1	1	1	-		
2	12191-KVC-890	GASKET, CYLINDER	1	1	1	-		
3	12195-KVC-900	RUBBER, CYLINDER INSERT	5	5	5	-		
4	91107-KVC-900	DOWEL PIN, 10X20	2	2	2	-		

2