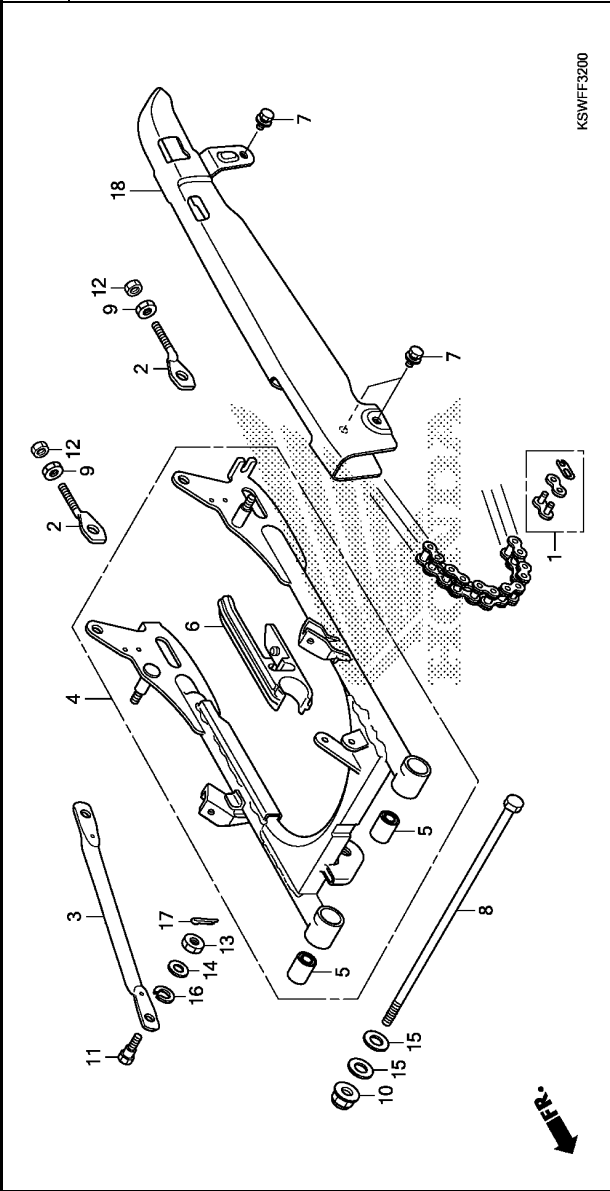


Ref. No.	L.O.N.	(Relative ref. Number)	Description	F.R.T.
3	7111H2		ARM, REAR BRAKE STOPPER	0.5
4	5121B0		SWINGARM ASSEMBLY	0.8
5	5121B3		BUSH, SWINGARM PIVOT	1.1
6	4101E5		SLIDER, CHAIN	0.2
18	410195		CASE, DRIVE CHAIN	0.1

NOTE: Same time for two units



Ref. No.	Part No.	Description	Reqd. QTY	Serial No.	Parts catalogue code
1	40531-KSW-G01	JOINT, DRIVE CHAIN(KMC)	1		
	40531-KWK-B01	1		
2	40543-KSW-970	ADJUSTER, CHAIN	2		
3	43431-KCS-W60	ARM, RR. BRAKE STOPPER	1		
4	52100-KSW-G00	SWINGARM ASSY., RR.	1		
5	52147-028-300	BUSH, SWINGARM PIVOT	2		
6	52170-KSW-G00	SLIDER, DRIVE CHAIN	1		
7	90118-383-000	BOLT-WASHER, 6X6	3		
8	90121-107-780	BOLT, RR. FORK PIVOT	1		
9	90302-KRS-830	NUT, SPECIAL, 6MM	2		
10	90306-KCS-690	NUT, SPECIAL FLANGE, 12MM	1		
11	92812-10000	BOLT A., STOPPER ARM	1		
12	94001-06000-0S	NUT, HEX., 6MM	2		
13	94001-08000-0S	NUT, HEX., 8MM	1		
14	94101-08000	WASHER, PLAIN, 8MM	1		
15	94101-12000	WASHER, PLAIN, 12MM	2		
16	94111-10000	WASHER, SPRING, 10MM	1		
17	94201-20150	PIN, SPLIT, 2.0X15	1		
18	40510-KSW-G002	CASE, DRIVE CHAIN	1		

Reqd. QTY
CCG
125WH
F

Parts catalogue code



KSWFF3200