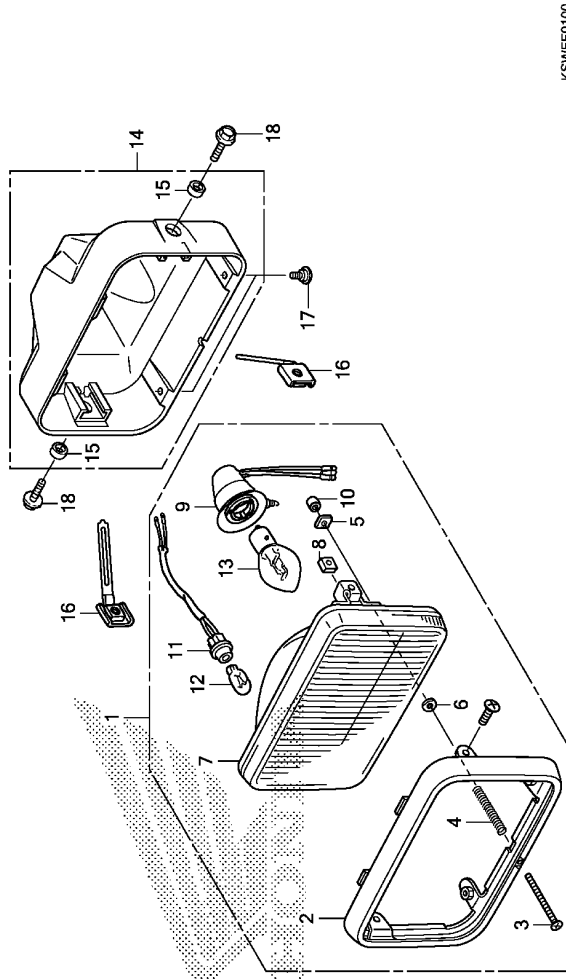


HEADLIGHT

Ref. No.	L.O.N.	(Relative ref. Number)	Description	F.R.T.
1	616115		HEADLIGHT ASSEMBLY	0.1
7		(2)		
	6161A7		HEADLIGHT UNIT	0.2
9	6161B1		SOCKET, HEADLIGHT	0.2
11	616180		SOCKET, POSITION LIGHT	0.2
12	616182		BULB, POSITION LIGHT	0.1
13	616118		BULB, HEADLIGHT	0.1
14	616103		CASE, HEADLIGHT	0.3



KSWFF0100

F.R.T.

Ref. No.	Part No.	Description	Reqd. QTY	Serial No.	Parts catalogue code
			CCG 125WH F		
1	33100-KSW-G01	HEADLIGHT ASSY.	1		
2	33101-KSW-G01	RIM COMP., HEADLIGHT	1		
3	33102-KSW-G01	SCREW, BEAM ADJUST	1		
4	33107-KSW-G01	SPRING, BEAM ADJUSTING	1		
5	33117-KSW-G01	NUT, BEAM ADJUSTING	1		
6	33119-KSW-G01	WASHER, BEAM ADJUSTING	1		
7	33120-KSW-G01	HEADLIGHT UNIT	1		
8	33128-KSW-G01	NUT, UNIT HOLDER	2		
9	33130-KSW-G01	SOCKET COMP., HEADLIGHT	1		
10	33136-KSW-G01	COVER, SCREW	1		
11	33150-KSW-G01	SOCKET COMP., POSITION LIGHT	1		
12	33301-KZG-901	BULB, POSITION LIGHT(12V W5W)	1		
13	34901-KSW-G01	BULB, HEADLIGHT(12V 35/35W)	1		
14	61301-KYO-980	CASE, HEADLIGHT	1		
15	61302-964-000	COLLAR A, HEADLIGHT CASE	2		
16	61303-KSW-G00	NUT, HEADLIGHT CASE	2		
17	90018-7A5-000	BOLT, STATOR COVER SETTING	2		
18	90119-383-000	BOLT, FLANGE, 8X20	2		