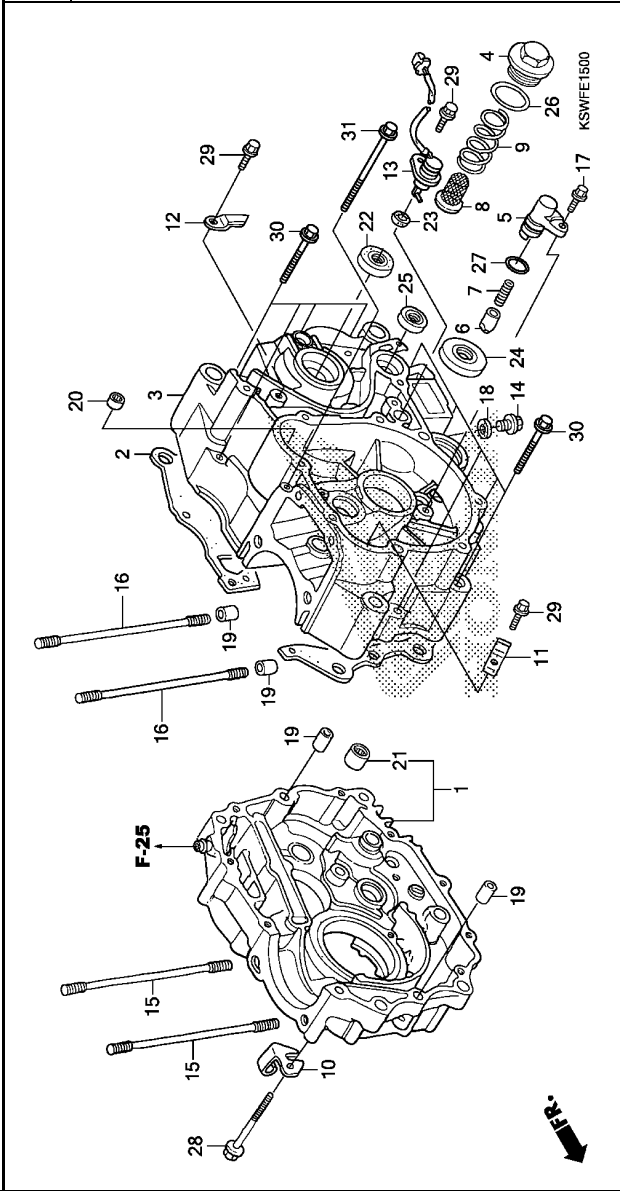


Ref. No.	L.O.N.	(Relative ref. Number)	Description	F.R.T.
1	110120		CRANKCASE :RIGHT -INCLUDES: Engine removal and installation	4.5
2	110110		GASKET, CRANKCASE -INCLUDES: Engine removal and installation	4.0
3	110115		CRANKCASE :LEFT -INCLUDES: Engine removal and installation	5.0
	1101A2		CRANKCASE :BOTH -INCLUDES: Engine removal and installation	5.4
5	1101L2		HOLDER, PUSH PLUG (6,7,27)	0.6
8	1131B5		SCREEN, OIL FILTER	0.1
13	615125		SWITCH, GEAR CHANGE	0.3
21	2101C8		BEARING, COUNTERSHAFT :RIGHT -INCLUDES: Engine removal and installation	4.2
	2101C9		BEARING, COUNTERSHAFT :BOTH -INCLUDES: Engine removal and installation	4.4
+	2101D4		BEARING, MAINSHAFT AND COUNTERSHAFT :ALL	4.6



Ref. No.	Part No.	Description	Reqd. QTY	Serial No.	Parts catalogue code
			CCG 125WH F		
1	11100-KSW-600	CRANKCASE COMP., R.	1		
2	11191-KSW-600	GASKET, CRANKCASE	1		
3	11200-KSW-600	CRANKCASE COMP., L.	1		
4	12361-KSW-600	CAP, HOLE, 36MM	1		
5	14511-KSW-600	HOLDER, PUSH PLUG	1		
6	14521-KSW-600	PLUG, BEARING PUSH	1		
7	14531-KSW-600	SPRING, BEARING PUSH	1		
8	15421-KVC-900	SCREEN, OIL FILTER	1		
9	15426-KVC-900	SPRING, OIL FILTER SCREEN	1		
10	22838-KSW-600	HOLDER, CLUTCH WIRE	1		
11	28117-KSW-600	PLATE, GEAR SETTING	1		
12	32976-KRF-500	CLAMPER, WIRE HARNESS	1		
13	35759-KSW-601	SWITCH ASSY., CHANGE	1		
14	90031-KSW-600	BOLT, DRAIN PLUG, 12MM	1		
15	90032-KSW-600	BOLT A, CYLINDER STUD, 8X122	2		
16	90034-KSW-600	BOLT B, CYLINDER STUD, 8X130	2		
17	90044-KSW-600	BOLT, FLANGE, 6X25	1		
18	90401-KSW-600	WASHER, DRAIN PLUG, 12MM	1		
19	90703-KVC-900	DOWEL PIN, 10X14	4		
20	91021-KTJ-C10	BEARING, NEEDLE(HK1010)	1		
21	91106-KRH-900	BEARING, NEEDLE, 15MM	1		
22	91202-KSW-601	OIL SEAL, 20X34X7	1		
23	91203-KSW-601	OIL SEAL, 14X22X5	1		
24	91205-KSW-601	OIL SEAL, 34X50X7	1		
25	91206-KSW-601	OIL SEAL, 14X28X7	1		

