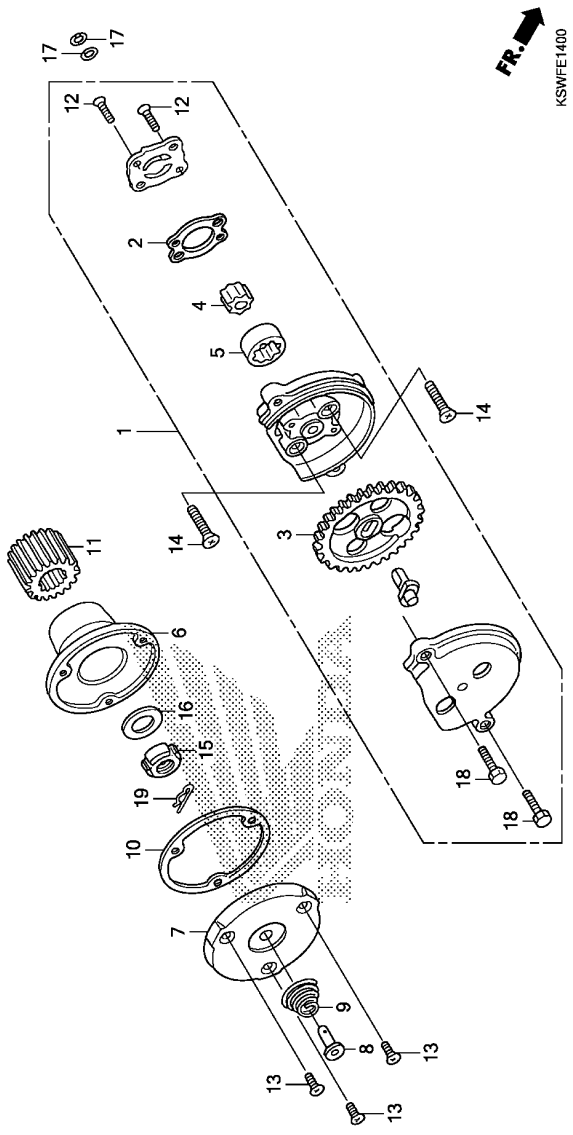


Ref. No.	L.O.N.	(Relative ref. Number)	Description	F.R.T.
1	113105	(17)	PUMP ASSY., OIL	0.8
3	1131B8		GEAR, OIL PUMP DRIVE	0.7
5	1131C7	(4)	ROTOR, OIL PUMP	0.9
6	1101L0		-NOTE: Same time for two units	0.8
7	1101L1	(10)	ROTOR, OIL FILTER	0.8
11	211105		CAP, OIL FILTER ROTOR	0.7
			GEAR, PRIMARY DRIVE	0.8



Ref. No.	Part No.	Description	Reqd. QTY	Serial No.	Parts catalogue code
			CCG 125WH F		
1	15100-KSW-600	PUMP ASSY., OIL	1		
2	15126-KVC-900	GASKET, OIL PUMP	1		
3	15131-KVC-900	GEAR, OIL PUMP DRIVE(39T)	1		
4	15331-KVC-900	ROTOR, OIL PUMP INNER	1		
5	15332-KVC-900	ROTOR, OIL PUMP OUTER	1		
6	15430-KVC-900	ROTOR COMP., OIL FILTER	1		
7	15436-KRM-840	CAP, OIL FILTER ROTOR	1		
8	15441-KCS-650	THROUGH, OIL	1		
9	15446-107-000	SPRING, OIL THROUGH	1		
10	15459-KMK-900	GASKET, OIL FILTER CAP	1		
11	23121-KVC-900	GEAR, PRIMARY DRIVE(18T)	1		
12	90051-KSW-600	SCREW, FLAT, 4X12	2		
13	90052-KSW-600	SCREW, FLAT, 5X12	3		
14	90053-KSW-600	SCREW, FLAT, 6X30	2		
15	90231-KSW-600	NUT, LOCK, 16MM	1		
16	90434-KVC-900	WASHER, 16MM	1		
17	91304-KK3-830	O-RING, 9.4X2.4	2		
18	92101-05020-0A	BOLT, HEX., 5X20	2		
19	94251-08000	PIN, LOCK, 8MM	1		

