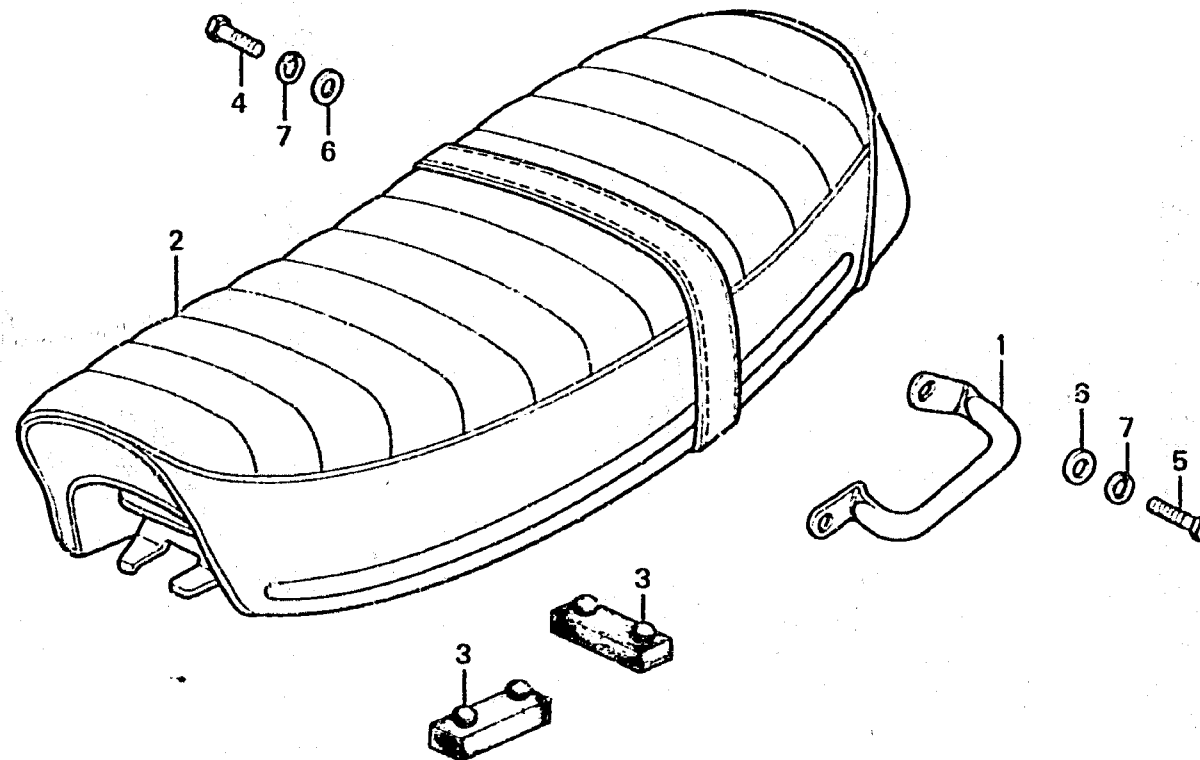


**F 1**

**F-10**

**Seat**



B384-11

Service item	F.R.T.	Ref. No.	Part No.	Description	Reqd. No. CB125S2	Serial No.	Area code
SIDE GRIP ● SEAT/SETTING RUBBER	0.1	1	50316-107-780	GRIP, SIDE	1		
		2	77200-324-700A	SEAT ASSY,	1		D1K, D1M, D3K, D3M
			77200-384-900	SEAT COMP,	1		D6K
		3	77205-286-000	RUBBER B, SEAT SETTING	3		D1K, D1M, D3K, D3M
			77205-292-010	RUBBER B, SEAT SETTING	3		D6K
		4	92000-08020-0A	BOLT, HEX,, 8X20	1		
		5	92000-08025-0A	BOLT, HEX,, 8X25	1		
		6	94101-08000	WASHER, PLAIN, 8MM	2		
		7	94111-08000	WASHER, SPRING, 8MM	2		

1979.03.01

F1