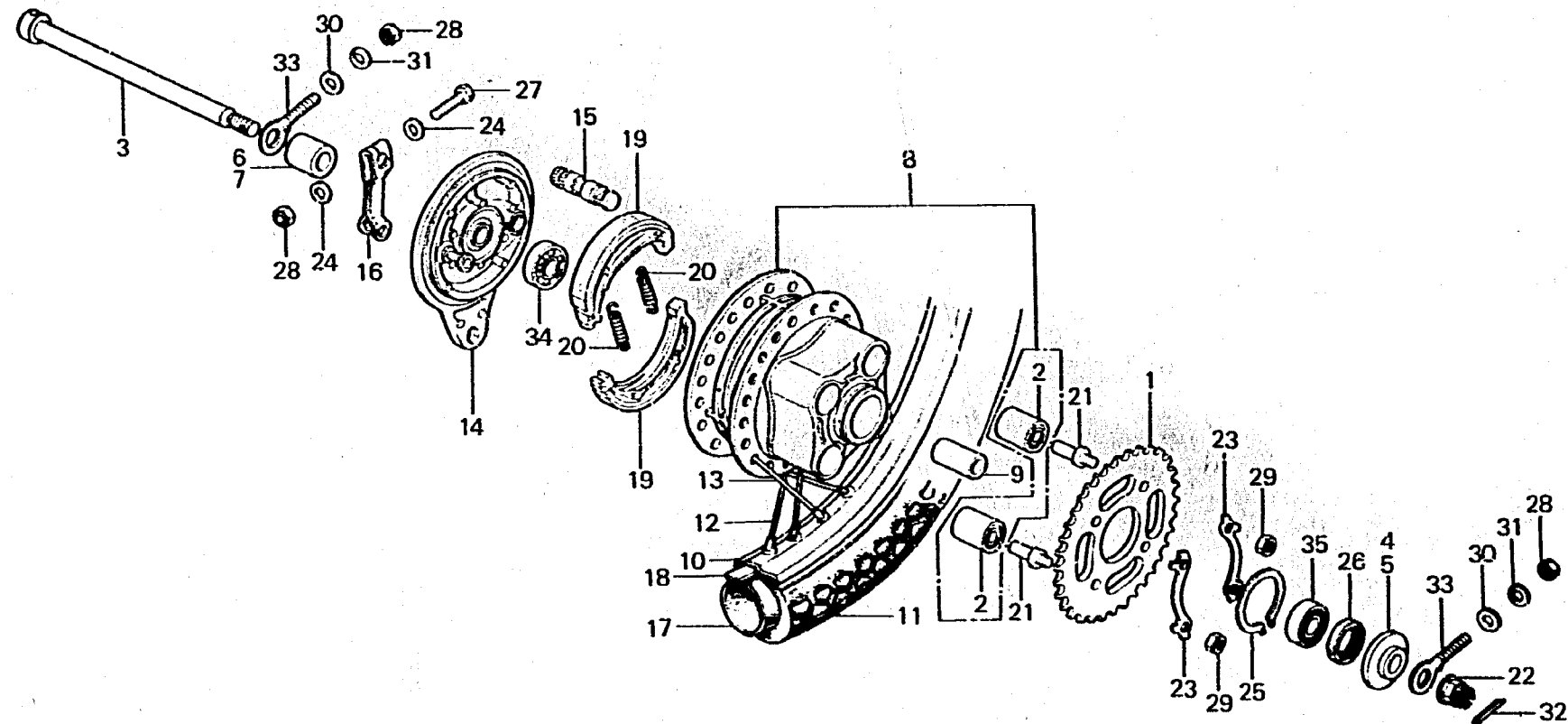


**E 13**

**F-8**

**Rear wheel · Panel**



B324-60

Service item	F.R.T.	Ref. No.	Part No.	Description	Reqd. No. CB125S2	Serial No.	Area code
		17	44712-303-000	TUBE, FR. WHEEL (3,00-17)	1		
		18	44713-200-000	FLAP, FR. TUBE	1		D1K, D1M, D3K, D3M
			44713-200-003	FLAP, TIRE (17 BS)	1		D6K
			44713-200-006	FLAP, TIRE (17 NITTO)	1		D6K
		19	45120-001-010	SHOE COMP., FR. BRAKE	2	2052567	D1K, D1M, D3K, D3M
			45120-096-651	SHOE COMP., BRAKE (NIPPON)	2	2052568	D1K, D1M, D3K, D3M
			45120-096-652	SHOE COMP., BRAKE (ASAHI)	2	2066383	D6K
		20	45133-028-000	SPRING, BRAKE SHOE	2		D1K, D1M, D3K, D3M
		21	90128-216-000	BOLT, DRIVEN SPROCKET FIXING	4		D6K
		22	90305-107-010	NUT, RR. AXLE	1	2055941	D1K, D1M, D3K, D3M
			90305-401-680	NUT, AXLE, 14MM	1	2055942	D1K, D1M, D3K, D3M
					1		D6K
		23	90523-222-000	WASHER, TONGUED, 8,5X12	2	2040000	D1K, D1M, D3K, D3M
			94108-13000	WASHER A3, TONGUED	2	2040001	D1K, D1M, D3K, D3M
					2		D6K
		24	90525-001-000	WASHER, RR. BRAKE ARM	2		
		25	90664-216-000	CIR CLIP, 58MM	1		
		26	91257-230-000	OIL SEAL, 28X42X7	1		
		27	92000-06036	BOLT, HEX., 6X36	1		
		28	94001-06000	NUT, HEX., 6MM	3		
		29	94031-08000	NUT, HEX., 8MM	4		
		30	94101-06000	WASHER, PLAIN, 6MM	2		
		31	94111-06000	WASHER, SPRING, 6MM	2		
		32	94201-30250	PIN, SPLIT, 3,0X25	1		
		33	95014-12100	ADJUSTER C, R. CHAIN	2	2051662	D1K, D1M, D3K, D3M

1979.03.01

E13