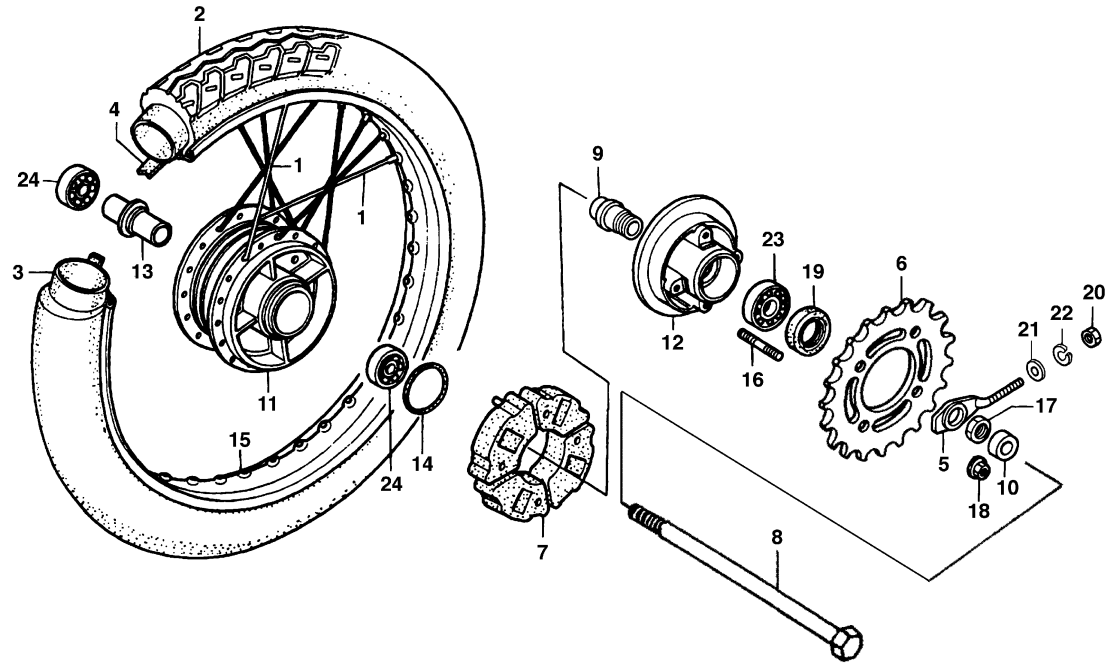


F - 11

Rear wheel



KEVF - NF100

Service item	F.R.T.	No.	Part Number	Description	Q'ty	Notes
DAMPER RR., WHEEL.....	0.3	1	10 - 159	SPOKE SET 22517	1*	* 1 set = 18 pcs INSIDE SPOKES + 18 pcs OUTSIDE SPOKES
AXLE, RR. WHEEL.....	0.2	2	27517-FR135	TIRE, RR. WHEEL (2.75 - 17)	1	
SPROCKET, FINAL DRIVEN.....	0.6	3	27517-00000	TUBE, TIRE	1	
. BEARING, RADIAL BALL, 6203		4		FLAP, TIRE (17).....	1	
SLEEVE, RR. WHEEL.....	0.4	5	40540-GN5-730	ADJUSTER, L. CHAIN	1	
. COLLAR, RR. AXLE DISTANCE		6	41201-KEV-880	SPROCKET, FINAL DRIVEN (40T)	1	
. BEARING, RADIAL BALL, 6301 (TAMBAHKAN 0.1 UNTUK MASING-MASING)		7	41241-GB4-770	DAMPER RR., WHEEL	1	
FLANGE ASSY., FINAL DRIVEN.....	1.0	8	42301-GN5-830	AXLE, RR. WHEEL.....	1	
. TIRE, RR.		9	42303-GN5-830	SLEEVE, RR. WHEEL	1	
. TUBE, TIRE		10	42304-GN5-900	COLLAR, RR. WHEEL SIDE	1	
HUB , RR. WHEEL.....	2.6	11	42601-GN5-960FMS	HUB, RR. WHEEL *NH-255M* SILVER MET ...	1	
RIM, RR. WHEEL.....	2.3	12	42610-KEV-880	FLANGE ASSY., FINAL DRIVEN	1	
		13	42620-GB6-920	COLLAR, RR. AXLE DISTANCE	1	
		14	42653-KEV-900	O-RING, 40.5x3 (DUST KEEPER)	1	
		15	42701-383-701	RIM, RR. WHEEL	1	
		16	90128-GS4-000	BOLT, STUD, 8x43	4	
		17	90307-001-000	NUT, RR. AXLE SLEEVE	1	
		18	90309-357-000	NUT, HEX., 8MM	4	
		19	91252-KEV-900	OIL SEAL, 27x40x6	1	
		20	94001-06000-0S	NUT, HEX., 6MM	1	

15.07.1997