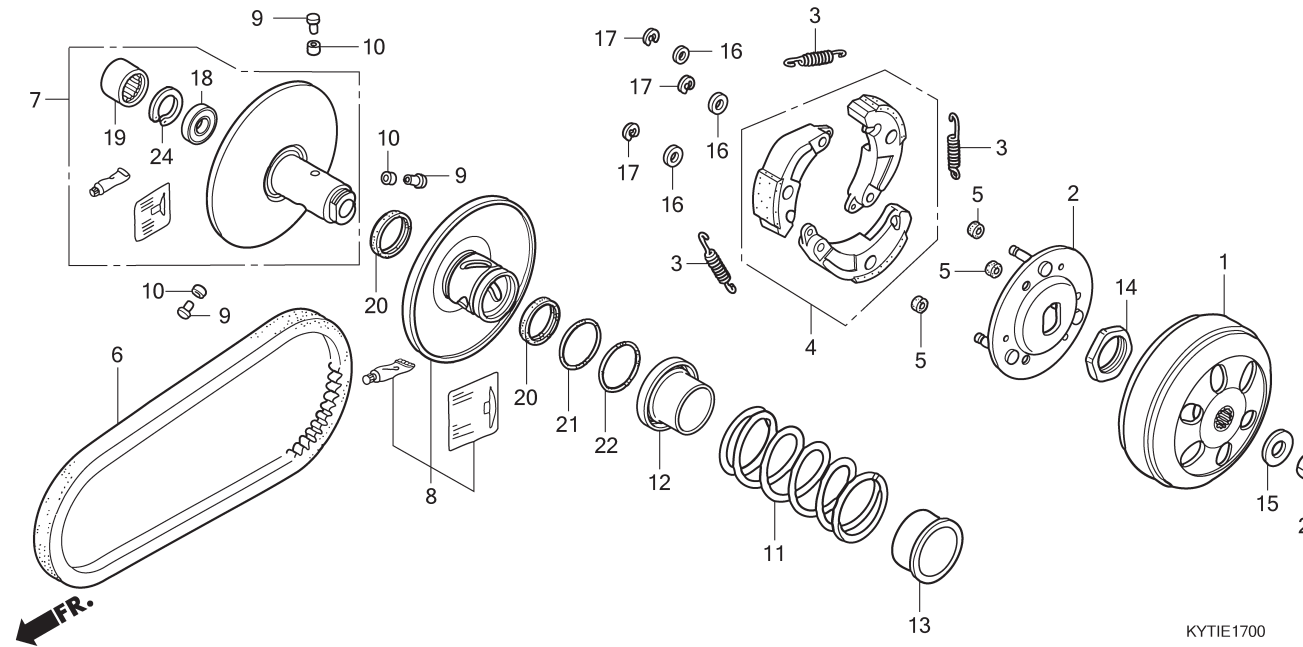


E - 13 Driven Face



2

Service item	F.R.T.	No.	Part Number	Description	QTY	Notes
1 OUTER, CLUTCH	0.3	1	22100-KVY-900	OUTER COMP., CLUTCH	1	
4 (2,3) WEIGHT SET, CLUTCH	0.6	2	22350-KVY-900	PLATE COMP., DRIVE	1	
		3	22401-KVY-900	SPRING, CLUTCH	3	
6 BELT, DRIVE	0.4	4	22535-KVY-900	WEIGHT SET, CLUTCH	1	
7 FACE, DRIVEN	0.5	5	22804-148-000	RUBBER, CLUTCH DAMPER	3	
8 (9,10,20) FACE, MOVABLE DRIVEN....	0.5	6	23100-KVY-901	BELT, DRIVE	1	
		7	23205-KVY-960	FACE SET, DRIVEN	1	
11 (12,13) SPRING, DRIVEN FACE.....	0.5	8	23224-KVY-900	FACE SET, MOVABLE DRIVEN	1	
19 (18) BEARING, DRIVEN FACE.....	0.6	9	23225-KSY-900	PIN, ROLLER GUIDE	3	
.Replace 1 bearing add	0.1	10	23226-KVB-900	ROLLER, GUIDE	3	
		11	23233-GCC-000	SPRING, DRIVEN FACE	1	
		12	23237-GCC-C50	COLLAR, SEAL	1	
		13	23238-GCC-000	COLLAR, SPRING	1	
		14	90202-KN7-670	NUT, SPECIAL, 30MM	1	
		15	90441-GY6-940	WASHER, 12.2X29X2.5	1	
		16	90442-044-000	WASHER, THRUST, 6MM	3	
		17	90454-GB2-000	CIRCLIP, 6MM	3	
		18	91009-KVY-961	BEARING, RADIAL BALL, 6902U	1	
		19	91109-KVY-901	BEARING, NEEDLE, 20X29X18	1	
		20	91211-GK8-013	OIL SEAL, 34X39X3	2	
		21	91351-GR1-000	O-RING, 38.5X2	1	
		22	91351-642-000	O-RING, PINION CAP	1	
		23	94030-12200	NUT, HEX., 12MM	1	
		24	94520-28000	CIRCLIP, INTERNAL, 28MM	1	