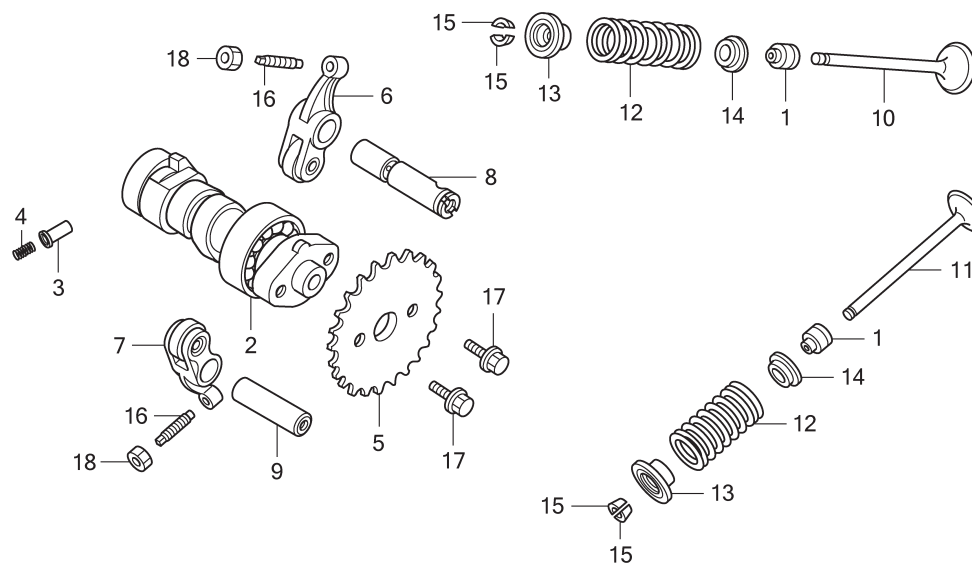


E - 4 Camshaft / Valve



KYTIE0400

Service item	F.R.T.	No.	Part Number	Description	QTY	Notes
2 CAMSHAFT.....	1.4	1	12209-GB4-681	SEAL, VALVE STEM	2	
5 SPROCKET, CAM	0.8	2	14100-KVY-900	CAMSHAFT COMP.	1	
6 (8) ARM, INTAKE VALVE ROCKER.....	1.9	3	14125-KVY-900	PLUNGER, CAM SETTING	1	
ARM, VALVE ROCKER		4	14126-KPH-900	SPRING, PLUNGER	1	
:FOR 1 VEHICLE	1.9	5	14321-KVY-900	SPROCKET, CAM (34T)	1	
10 VALVE, INTAKE(ONE)	2.2	6	14430-KVY-901	ARM COMP., IN. VALVE ROCKER	1	
.INCLUDES: Refacing		7	14440-KVY-901	ARM COMP., EX. VALVE ROCKER	1	
11 VALVE, EXHAUST(ONE)	2.2	8	14451-KVY-900	SHAFT, IN. ROCKER ARM	1	
.INCLUDES: Refacing		9	14461-KVB-900	SHAFT, EX. ROCKER ARM	1	
VALVE :FOR 1 VEHICLE.....	2.4	10	14711-KVY-900	VALVE, IN.	1	
.INCLUDES: Refacing		11	14721-KVY-900	VALVE, EX.	1	
12 (1,13,14,15)		12	14751-KVY-900	SPRING, VALVE	2	
SPRING AND/OR STEM SEAL,		13	14771-GB4-680	RETAINER, VALVE SPRING	2	
INTAKE VALVE(ONE).....	2	14	14775-KVY-900	SEAT, VALVE SPRING	2	
SPRING AND/OR STEM SEAL,		15	14781-MA6-000	COTTER, VALVE	4	
EXHAUST VALVE(ONE).....	2	16	90012-333-000	SCREW, TAPPET ADJUSTING	2	
SPRING AND/OR STEM SEAL,		17	90083-GB6-911	BOLT, KNOCK, 5MM	2	
VALVE :FOR 1 VEHICLE	2.1	18	90206-001-000	NUT, TAPPET ADJUSTING	2	