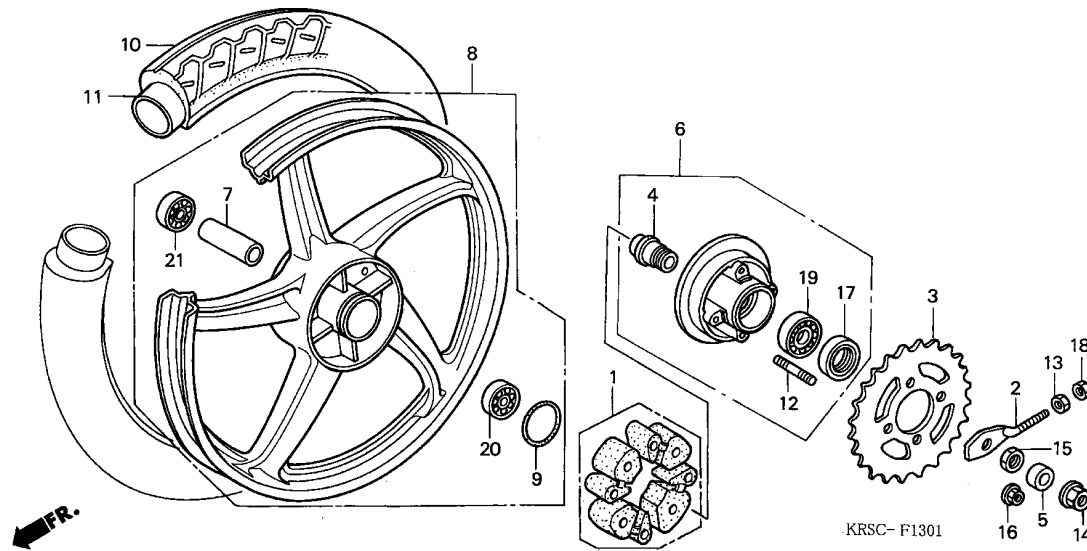


F-13-1

REAR WHEEL(2CH/3CH)

G 2



Service item	F.R.T.
DAMPER SET, WHEEL	0.3
FLANGE SUB ASSY., RR. DRIVEN	0.4
.SPROCKET, FINAL DRIVEN	
BEARING, RADIAL BALL, 6201UU	0.5
(ADD 0.1 FOR EACH.)	
.BEARING, RADIAL BALL, 6203U	
.BEARING, RADIAL BALL, 6301UU	
.COLLAR, RR. AXLE DISTANCE	
.SLEEVE, RR. WHEEL	
TIRE, RR.	0.9
.TUBE, TIRE	
.WHEEL SUB ASSY., RR.	

3

Ref. No.	Part No.	Description	Reqd. QTY	Serial No.	Parts catalogue code
			NF100MSH 3		
1	06410-KRS-830	DAMPER SET, WHEEL	1	-----	2CH,3CH
2	40544-KRS-830	ADJUSTER, L. CHAIN	1	-----	2CH,3CH
3	41201-KRS-830	SPROCKET, FINAL DRIVEN (36T)	1	-----	2CH,3CH
4	42303-KRS-830	SLEEVE, RR. WHEEL	1	-----	2CH,3CH
5	42304-KRS-830	COLLAR, RR. WHEEL SIDE	1	-----	2CH,3CH
6	42615-KRS-830	FLANGE SUB ASSY., RR. DRIVEN	1	-----	2CH,3CH
7	42620-KRS-830	COLLAR, RR. AXLE DISTANCE	1	-----	2CH,3CH
8	42650-KRS-840	WHEEL SUB ASSY., RR.	1	-----	2CH,3CH
9	42653-KRS-830	O-RING, 40.5X3	1	-----	2CH,3CH
10	42711-KRS-830	TIRE, RR.	1	-----	2CH,3CH
11	42712-KRS-830	TUBE, TIRE (2.25-17/2.50-17)	1	-----	2CH,3CH
12	90128-KFM-900	BOLT, STUD, 8X19.5	4	-----	2CH,3CH
13	90302-KRS-830	NUT, SPECIAL, 6MM	1	-----	2CH,3CH
14	90307-KRF-S00	NUT, SPECIAL, 12MM	1	-----	2CH,3CH
15	90307-KRS-830	NUT, RR. AXLE SLEEVE	1	-----	2CH,3CH
16	90309-KRS-830	NUT, U, 8MM	4	-----	2CH,3CH
17	90753-KRS-830	OIL SEAL, 27X40X6	1	-----	2CH,3CH
18	94001-06000-0S	NUT, HEX., 6MM	1	-----	2CH,3CH
19	96140-62030-10	BEARING, RADIAL BALL, 6203U	1	-----	2CH,3CH
20	96150-62010-10	BEARING, RADIAL BALL, 6201UU	1	-----	2CH,3CH
21	96150-63010-10	BEARING, RADIAL BALL, 6301UU	1	-----	2CH,3CH