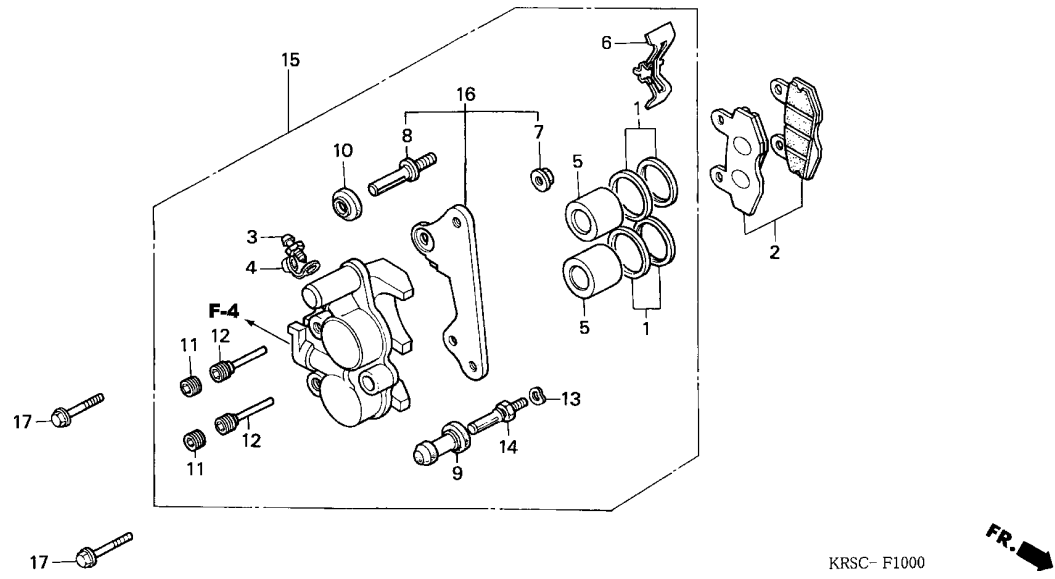


F-10

FRONT BRAKE CALIPER

F11



Service item	F.R.T.
BRACKET SUB ASSY., R. FR. CALIPER	0.2
.PAD SET, FR.	
CALIPER SUB ASSY., R. FR.	0.4
PISTON	0.5
(INC. RELATIVE PART) (ADD 0.1 FOR EACH.)	

Ref. No.	Part No.	Description	Reqd. QTY	Serial No.	Parts catalogue code
			NF100MSH 3		
1	06451-KEV-650	SEAL SET, PISTON	2	-----	3CH
2	06455-KEV-650	PAD SET, FR.	1	-----	3CH
3	43352-KBP-930	BLEEDER	1	-----	3CH
4	43353-KBP-930	CAP, BLEEDER	1	-----	3CH
5	45107-KBP-930	PISTON	2	-----	3CH
6	45108-KBP-930	SPRING, PAD	1	-----	3CH
7	45116-KBP-930	NUT, TORQUE	1	-----	3CH
8	45131-KBP-930	PIN A, BOLT	1	-----	3CH
9	45132-KBP-930	BOOT, PIN BUSH	1	-----	3CH
10	45133-KBP-930	BOOT B	1	-----	3CH
11	45203-KBP-930	PLUG, PIN	2	-----	3CH
12	45215-KBP-930	PIN, HANGER	2	-----	3CH
13	45216-KBP-930	WASHER, WAVE	1	-----	3CH
14	45231-KBA-930	PIN, BOLT	1	-----	3CH
15	45250-KEV-650	CALIPER SUB ASSY., R. FR. ...	1	-----	3CH
16	45290-KEV-650	BRACKET SUB ASSY., R. FR. CALIPER	1	-----	3CH
17	90155-KEH-950	BOLT, FLANGE, 8X25	2	-----	3CH

3