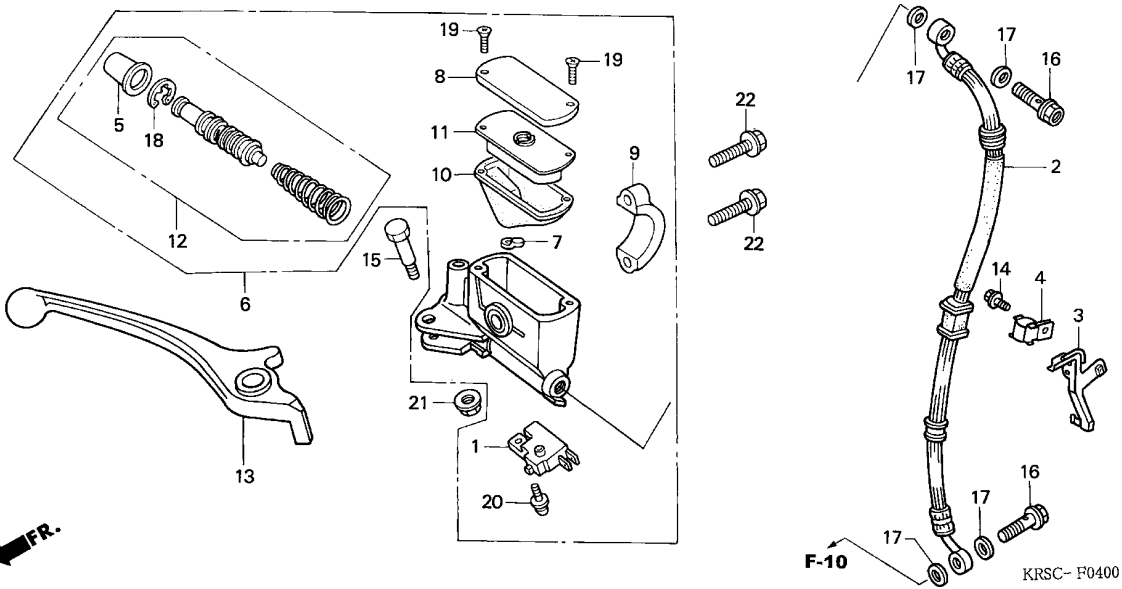


F-4

FR. BRAKE MASTER CYLINDER



Service item	F.R.T.
DIAPHRAGM	0.1
.LEVER, R. STEERING HANDLE	
SWITCH ASSY., FR. STOP	0.2
CYLINDER SET, MASTER	0.6
.CYLINDER SUB ASSY., FR. BRAKE MASTER	
.HOSE COMP., FR. BRAKE	

Ref. No.	Part No.	Description	Reqd. QTY	Serial No.	Parts catalogue code
			NF100MSH 3		
1	35340-KRF-T00	SWITCH ASSY., FR. STOP	1	-----	3CH
2	45126-KRS-850	HOSE COMP., FR. BRAKE	1	-----	3CH
3	45156-KRS-850	CLAMPER, BRAKE HOSE	1	-----	3CH
4	45157-KRS-850	CLAMPER B, BRAKE HOSE	1	-----	3CH
5	45504-GW3-980	BOOT COMP.	1	-----	3CH
6	45510-KRS-850	CYLINDER SUB ASSY., FR. BRAKE MASTER	1	-----	3CH
7	45512-GW3-980	PROTECTOR	1	-----	3CH
8	45513-KRS-850	CAP, MASTER CYLINDER	1	-----	3CH
9	45517-GW3-980	HOLDER, MASTER CYLINDER	1	-----	3CH
10	45520-KRS-850	DIAPHRAGM	1	-----	3CH
11	45521-KRS-850	PLATE, DIAPHRAGM	1	-----	3CH
12	45530-KRS-850	CYLINDER SET, MASTER	1	-----	3CH
13	53175-KET-920	LEVER, R. STEERING HANDLE ...	1	-----	3CH
14	90102-MW3-600	BOLT, FLANGE, 6X10	1	-----	3CH
15	90114-KGH-900	BOLT, HANDLE LEVER PIVOT ...	1	-----	3CH
16	90145-KEH-901	BOLT, OIL, 10X22	2	-----	3CH
17	90545-KCW-880	WASHER, OIL BOLT	4	-----	3CH
18	90653-GW3-980	CIRCLIP	1	-----	3CH
19	93600-04012-1G	SCREW, FLAT, 4X12	2	-----	3CH
20	93893-04012-17	SCREW-WASHER, 4X12	1	-----	3CH
21	94050-06000	NUT, FLANGE, 6MM	1	-----	3CH
22	95701-06022-07	BOLT, FLANGE, 6X22	2	-----	3CH

3