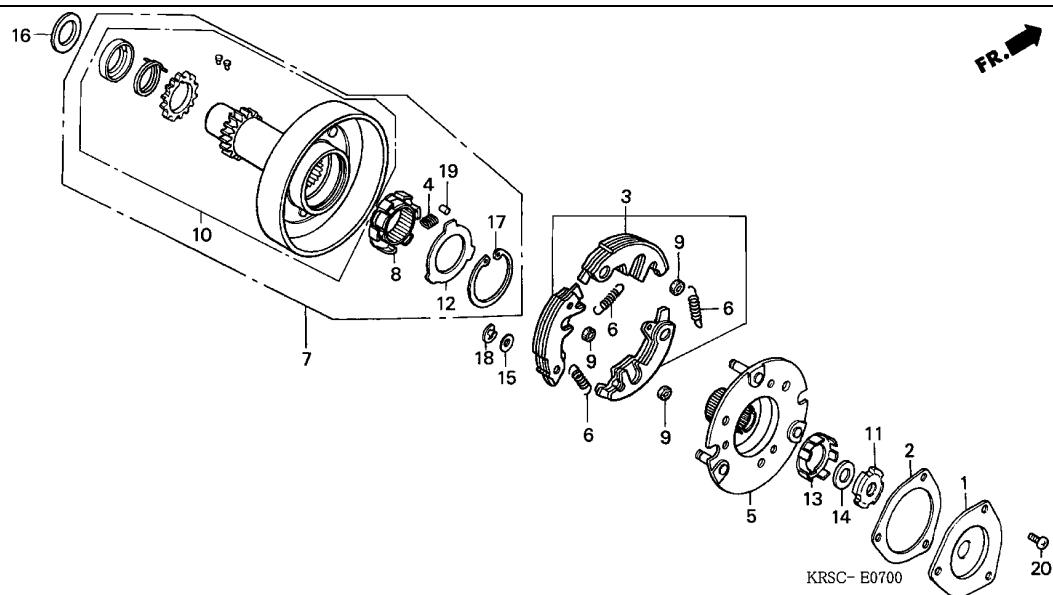


E-7

ONE WAY CLUTCH

D 7



Service item	F.R.T.
COVER, OIL FILTER	0.7
INNER COMP., ONE-WAY CLUTCH .. (INC. RELATIVE PART)	1.0
OUTER ASSY., PRIMARY CLUTCH	
PLATE COMP., PRIMARY DRIVE	
WEIGHT SET, CLUTCH (SAME TIME FOR TWO UNITS OR MORE)	
GEAR COMP., PRIMARY DRIVE	1.1
(INC. RELATIVE PART)	

KRSC- E0700

Ref. No.	Part No.	Description	Reqd. QTY NF100MSH 3	Serial No.	Parts catalogue code
1	15431-KRS-830	COVER, OIL FILTER	1		
2	15439-KRS-830	GASKET, OIL FILTER	1		
3	22535-KRS-730	WEIGHT SET, CLUTCH	1		
4	22606-KRS-830	SPRING, ONE WAY RETAINER	6		
5	22610-KRS-730	PLATE COMP., PRIMARY DRIVE ..	1		
6	22641-GN8-920	SPRING, PRIMARY CLUTCH	3		
7	22660-KRS-830	OUTER ASSY., PRIMARY CLUTCH ..	1		
8	22670-KRS-830	INNER COMP., ONE-WAY CLUTCH ..	1		
9	22804-GB2-000	RUBBER, CLUTCH DAMPER	3		
10	23120-KRS-830	GEAR COMP., PRIMARY DRIVE	1		
11	90232-KRS-830	NUT B, LOCK, 14MM	1		
12	90401-KRS-830	WASHER, 30X45X0.8	1		
13	90431-KRS-830	WASHER, LOCK	1		
14	90432-KRS-830	WASHER B, LOCK	1		
15	90442-GN5-910	WASHER, THRUST, 8MM	3		
16	90453-KRS-830	WASHER, THRUST, 19X28X1.5	1		
17	90455-KRS-830	CIRCLIP, INTERNAL, 45MM	1		
18	90605-166-720	CIRCLIP, 7MM	3		
19	91106-KRS-830	ROLLER, 5X8	6		
20	93500-05008-0A	SCREW, PAN, 5X8	3		

2