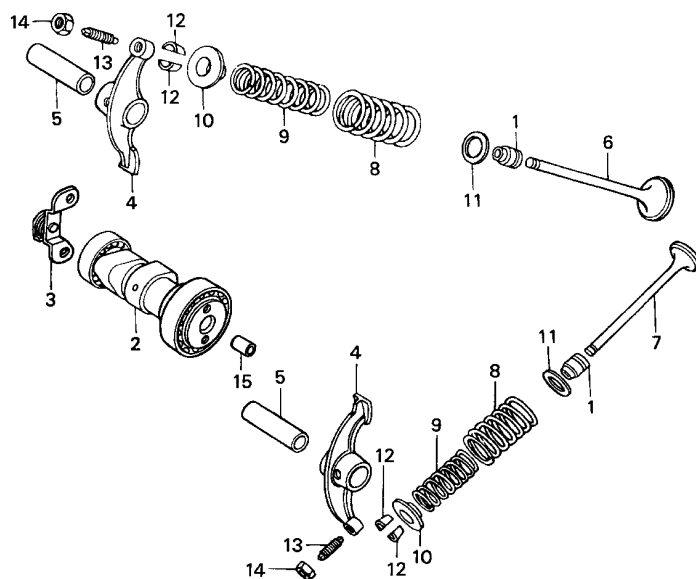


E-3

CAMSHAFT/VALVE

D 3



KRSC- E0300

Service item	F.R.T.
ARM, VALVE ROCKER	1.3
(SAME TIME FOR TWO UNITS)	
CAMSHAFT COMP.	
SPRING, VALVE	1.4
(ADD 0.1 FOR EACH.)	
(INC. RELATIVE PART)	
VALVE	1.6
(ADD 0.2 FOR EACH.)	
(INC. REFACING)	
(EXC. VALVE GUIDE REPLACEMENT)	

Ref. No.	Part No.	Description	Reqd. QTY NF100MSH 3	Serial No.	Parts catalogue code
1	12209-KRS-830	SEAL, VALVE STEM	2		
2	14100-KRS-830	CAMSHAFT COMP.	1		
3	14150-KRS-830	PLATE COMP., STOPPER	1		
4	14431-KRS-830	ARM, VALVE ROCKER	2		
5	14451-KRS-830	SHAFT, ROCKER ARM	2		
6	14711-KRS-830	VALVE, IN.	1		
7	14721-KRS-830	VALVE, EX.	1		
8	14751-KRS-830	SPRING, VALVE OUTER	2		
9	14761-KRS-830	SPRING, VALVE INNER	2		
10	14771-KRS-830	RETAINER, VALVE SPRING	2		
11	14775-KRS-830	SEAT, VALVE SPRING OUTER	2		
12	14781-KRS-830	COTTER, VALVE	4		
13	90012-KRS-830	SCREW, TAPPET ADJUSTING	2		
14	90206-KRS-830	NUT, TAPPET ADJUSTING	2		
15	90702-KRS-830	DOWEL PIN, 8X12	1		

2