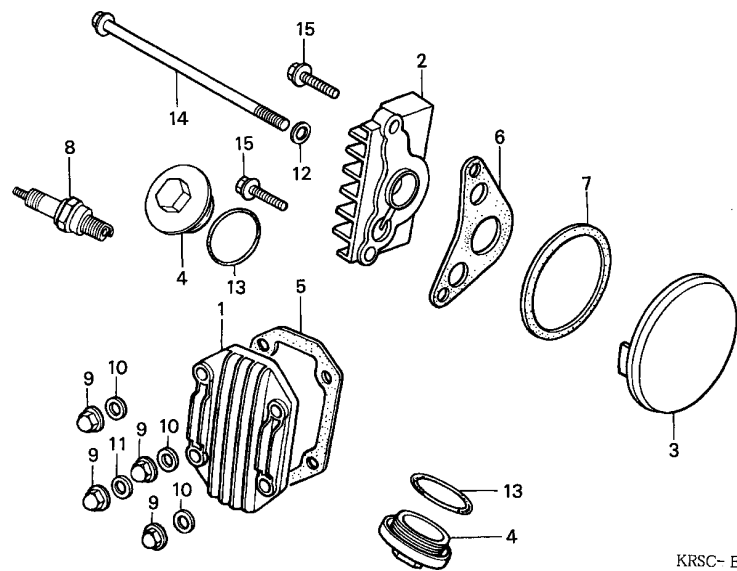


E-1

CYLINDER HEAD COVER

D 1



Service item	F.R.T.
PLUG, SPARK, 56	0.1
COVER, L. CYLINDER HEAD SIDE .	0.2
COVER, CYLINDER HEAD	0.3
.COVER, R. CYLINDER HEAD SIDE	

Ref. No.	Part No.	Description	Reqd. QTY NF100MSH 3	Serial No.	Parts catalogue code
1	12301-KRS-830	COVER, CYLINDER HEAD	1		
2	12331-KRS-830	COVER, R. CYLINDER HEAD SIDE	1		
3	12341-KRS-830	COVER, L. CYLINDER HEAD SIDE	1		
4	12361-KRS-830	CAP, TAPPET ADJUSTING HOLE ..	2		
5	12391-KRS-830	GASKET, CYLINDER HEAD COVER .	1		
6	12394-KRS-830	GASKET, R. CYLINDER HEAD SIDE COVER	1		
7	12395-KRS-830	GASKET, L. CYLINDER HEAD SIDE COVER	1		
8	31916-KEJ-850	PLUG, SPARK, 56	1		
	31917-GCC-000	PLUG, SPARK, 57	(1)		
9	90201-KRS-830	NUT, CAP, 7MM	4		
10	90442-KRS-830	WASHER, SEALING, 7MM	3		
11	90443-KRS-830	WASHER A, SEALING, 7MM	1		
12	90461-KRS-830	WASHER, SEALING, 12MM	1		
13	91302-KRS-830	O-RING, 30.8X3	2		
14	95701-06110-00	BOLT, FLANGE, 6X110	1		
15	96001-06020-00	BOLT, FLANGE, 6X20	2		

2