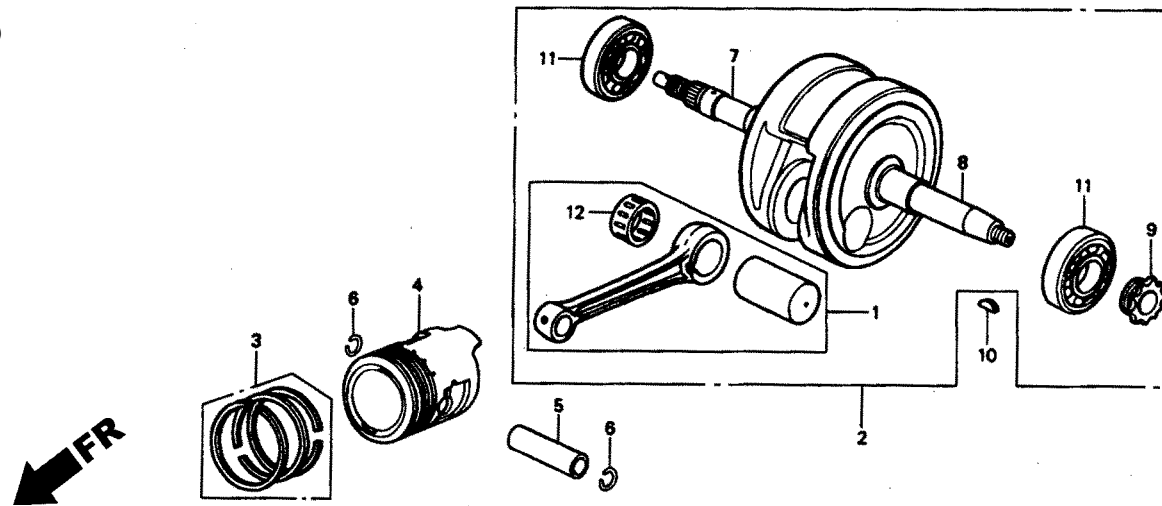


# E - 15

## Crankshaft/ Piston



KRST

Service item	F.R.T.	No.	Part Number	Description	Q'ty	Notes
PIN, PISTON	1.4	1	06381-KFM-900	ROD, CONNECTING	1	
RING SET, PISTON	1.5	2	13000-KFM-900	CRANKSHAFT COMP.	1	
.PISTON		3	13011-KFL-852	RING SET, PISTON (STD)	1	
CRANKSHAFT COMP.	*4.2		13012-KFL-852	RING SET, PISTON (0.25)	1	
BEARING, RADIAL BALL, 6304	*4.4		13013-KFL-852	RING SET, PISTON (0.50)	1	
			13014-KFL-852	RING SET, PISTON (0.75)	1	
			13015-KFL-852	RING SET, PISTON (1.00)	1	
		4	13101-KFV-950	PISTON	1	
			13102-KFV-950	PISTON (0.25)	1	
			13103-KFV-950	PISTON (0.50)	1	
			13104-KFV-950	PISTON (0.75)	1	
			13105-KFV-950	PISTON (1.00)	1	
		5	13111-GB0-910	PIN, PISTON	1	
		6	13115-GN5-910	CLIP, PISTON PIN, 13MM	2	
		7	13310-KFM-900	CRANKSHAFT COMP., RIGHT	1	
		8	13321-GN5-910	CRANKSHAFT, LEFT	1	
		9	14311-KFL-850	SPROCKET, TIMING	1	
		10	90741-003-010	KEY, WOODRUFF, 4MM	1	

08.08.2003