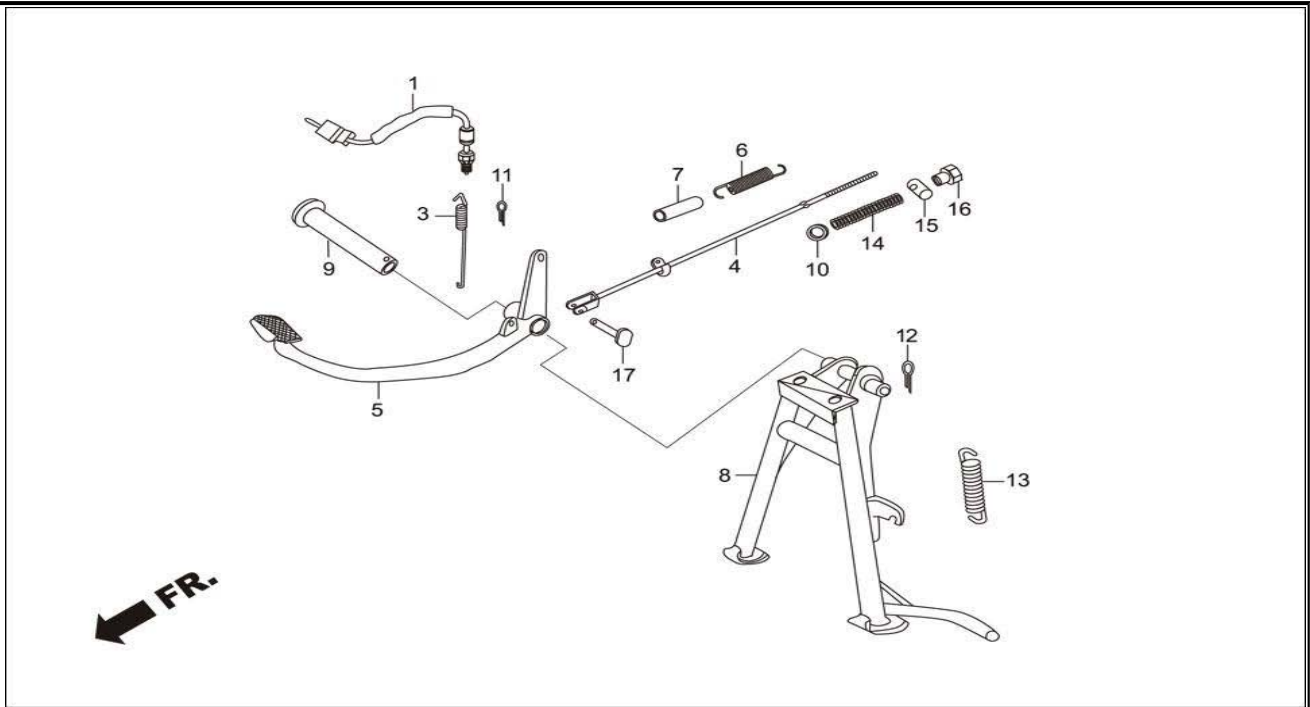


F-18-SELF
MAIN STAND/PEDAL BRAKE



Service Item	F.R.T.	BOM Of Group Number: F-18-SELF Model :: CD Deluxe (New)			
		Ref No.	Part Number	Description	Req.
SWITCH ASSY., RR. STOP	0.2	1	35350-KWA-940	SWITCH ASSY., REAR STOP (SELF)	1
ROD COMP., RR. BRAKE	0.3	3	35357-KST-940	SPRING STOP SWITCH	1
PEDAL, BRAKE	0.5	4	43451-KCC-600	ROD COMP. RR. BRAKE	1
SPRING, BRAKE PEDAL	0.1	5	46500-KST-940	PEDAL, BRAKE	1
STAND COMP., MAIN	0.4	6	46514-KCC-900	SPRING , BRAKE PEDAL	1
		7	46515-KB9-000	TUBE , BRAKE PEDAL SPRING	1
		8	50500-KST-940	STAND COMP. MAIN	1
		9	50512-KTC-900	PIPE, RR. BRAKE PIVOT	1
		10	90502-198-900	WASHER , BRAKE ROD	1
		11	94201-20150	PIN, SPLIT, 2.0 X 15	1
		12	94201-30250	PIN, SPLIT, 3.0 X 25	1
		13	95014-71702	SPRING 'G' MAIN STAND	1
		14	95014-73100	SPRING 'A' BRAKE ROD	1
		15	95015-32001	JOINT 'B' BRAKE ARM	1
		16	95015-42000	NUT `B' BRAKE ROD ADJUSTING	1
		17	95015-53000	PIN, 'C' JOINT	1