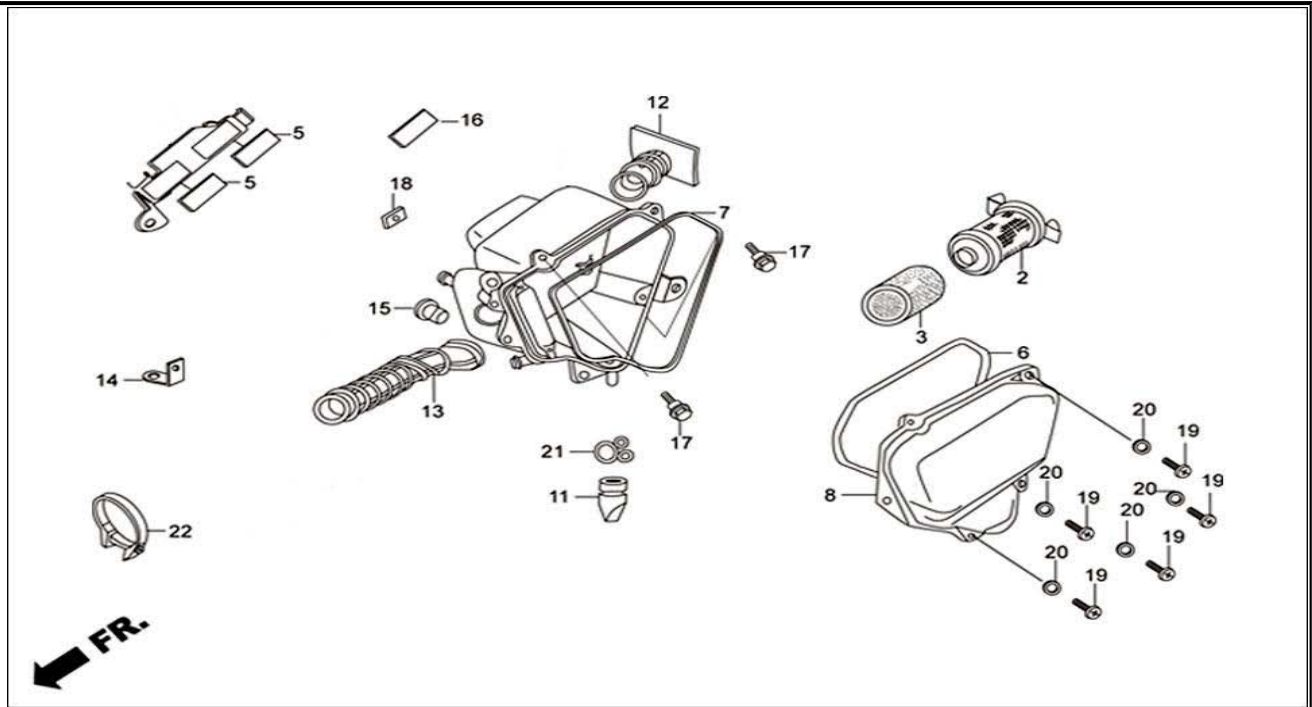


F-15-KICK AIR CLEANER



| Service Item | F.R.T. | BOM Of Group Number: F-15-KICK Model :: CD Deluxe (New) | | | |
|-------------------------------|--------|---|----------------|--------------------------|------|
| | | Ref No. | Part Number | Description | Req. |
| *CASE COMP., AIR CLEANER | 0.3 | | | | |
| *ELEMENT 'A' AIR CLEANER | 0.2 | 2 | 17212-KTC-900 | HOLDER, ELEMENT | 1 |
| *HOLDER, ELEMENT | -- | 3 | 17213-KWA-940 | ELEMENT AIR/C | 1 |
| *ELEMENT 'B' AIR CLEANER | -- | 5 | 17217-KST-940 | SCREW PAN, 5 X 12 | 2 |
| *COVER, AIR CLEANER CASE | -- | 6 | 17218-KTC-900 | SEAL AIR CLEANER | 1 |
| *WATER GUARD, FRONT | -- | 7 | 17219-KTC-900 | SEAL, A/I CLEANER | 1 |
| *DUCT, AIR CLEANER INLET | -- | 8 | 17220-KVH-760 | COVER, AIR/C CASE | 1 |
| *TUBE, AIR CLEANER CONNECTING | -- | 11 | 17234-KCC-940 | TUBE AIR CLEANER DRAIN | 1 |
| | | 12 | 17251-KWA-940 | DUCT AIR/C INLET | 1 |
| | | 13 | 17253-KTC-900 | TUBE, AIR/C CONN. | 1 |
| | | 14 | 17361-KVH-870 | STAY, BREATHER TUBE | 1 |
| | | 15 | 61312-149-300 | BOOT, HEADLIGHT BRACKET | 1 |
| | | 16 | 83407-KTR-940 | RUBBER, BATTERY | 1 |
| | | 17 | 90111-187-000 | BOLT, FLANGE. 6 MM | 2 |
| | | 18 | 90311-MT3-000 | NUT, CLIP, 6 MM | 1 |
| | | 19 | 93500-05016-1H | SCREW, PAN, 5 X 16 | 5 |
| | | 20 | 94101-05000 | WASHER , PLAIN, 5MM | 5 |
| | | 21 | 95002-02130 | CLIP B 12.5 TUBE | 1 |
| | | 22 | 95018-46320 | BAND 46 AIR/C CONN. TUBE | 1 |