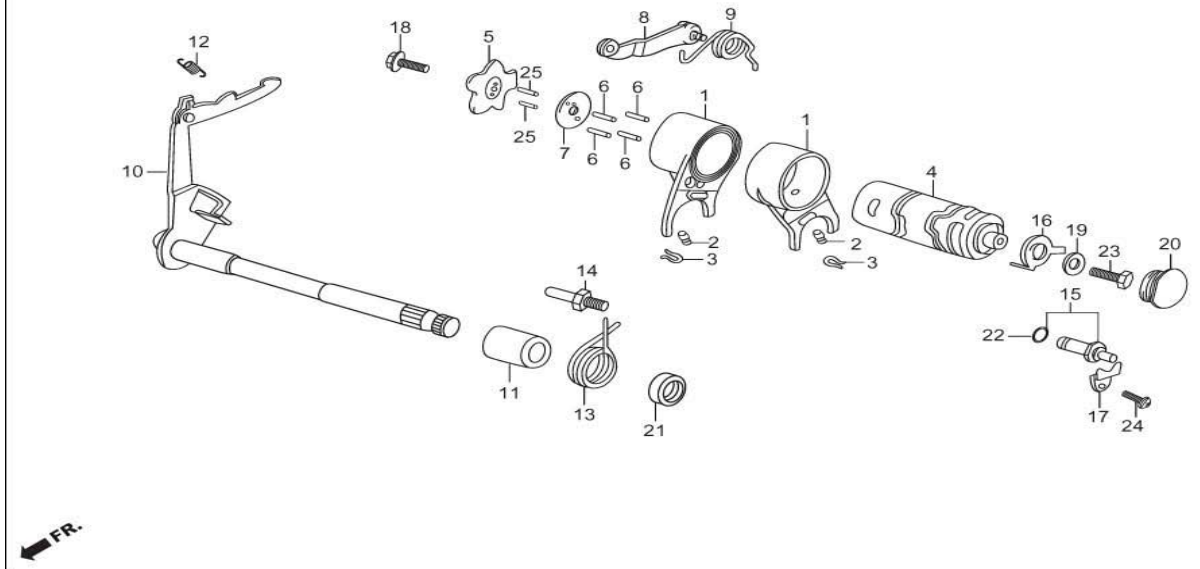


E-12 GEAR SHIFT



Service Item	F.R.T.	BOM Of Group Number: E-12 Model :: CD Deluxe (New)			
		Ref No.	Part Number	Description	Req.
FORK GEAR SHIFT (ONE OR ALL)	*3.8 --	21	91208-KB4-670	OIL SEAL, 11.6 X 24 X 10	1
DRUM, GEAR SHIFT	--	22	91312-107-000	`O' -RING, 7 X 1.7	1
PLATE, SHIFT DRUM STOPPER	--	23	92000-06016-0A	BOLT, HEX., 6 X 16	1
ARM COMP., SHIFT DRUM STOPPER (INC. RELATIVE PART)	--	24	93500-06012-1H	SCREW, PAN, 6 X 12	1
SPINDLE COMP., GEAR SHIFT (INC. RELATIVE PART)	1.2 --	25	96220-30085	ROLLER, 3 X 8.5	2
CONTACT ASSY	--				
NEUTRAL SWITCH	0.2				