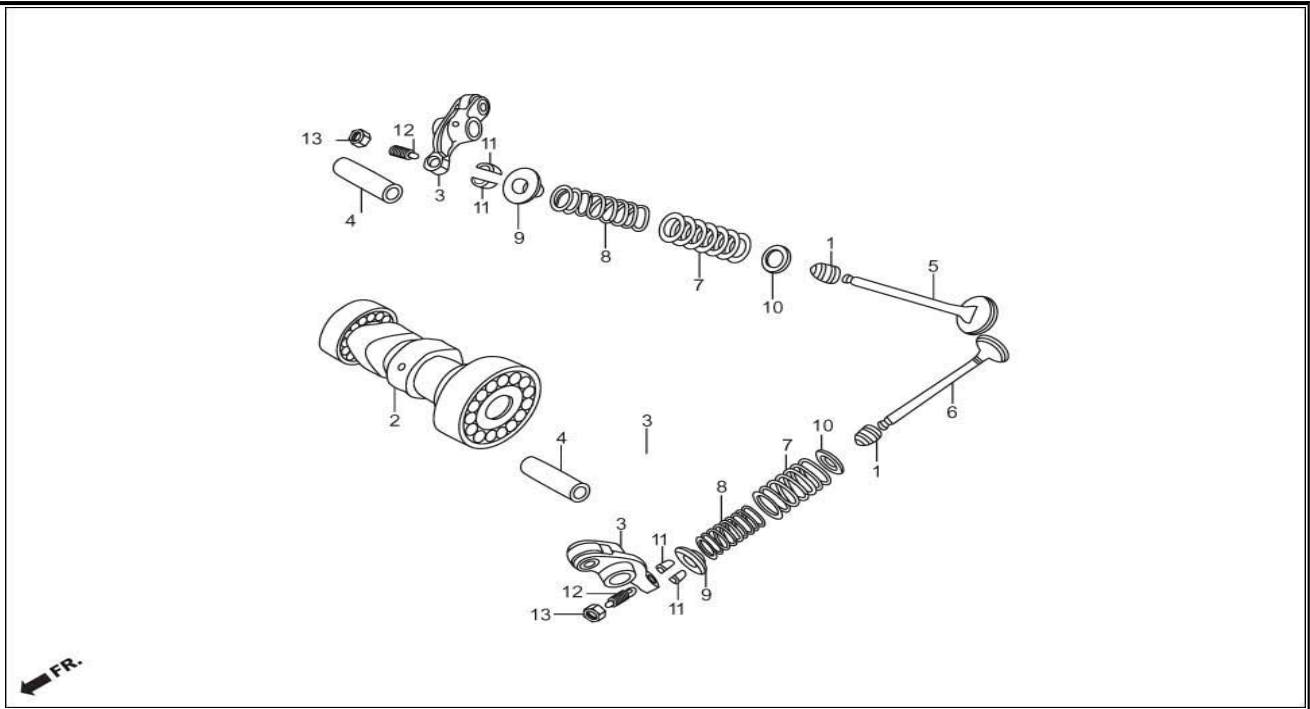


E-3
CAM SHAFT/VALVE



Service Item	F.R.T.	BOM Of Group Number: E-3 Model :: CD Deluxe (New)			
		Ref No.	Part Number	Description	Req.
CAM SHAFT COMP	0.7	1	12209-GB4-685	SEAL, VALVE STEM	2
ARM, VALVE ROCKER (ONE OR ALL)	--	2	14100-KST-941	CAM SHAFT COMP.	1
VALVE (ADD 0.2 FOR EACH (INC. REFACING) (EXC. VALVE GUIDE REPLACEMENT)	1.4 -- --	3	14430-KST-940	ARM COMP., VALVE ROCKER	2
		4	14451-KST-940	SHAFT, ROCKER ARM	2
		5	14711-GN5-910L	VALVE INLET	1
		6	14721-GF6-010L	VALVE EXHAUST	1
SPRING, VALVE INNER (ADD 0.1 FOR EACH (INC. RELATIVE PART)	1.2 -- --	7	14751-GBG-900	SPRING, VALVE OUTER	2
		8	14761-GBG-900	SPRING, VALVE INNER	2
		9	14771-GB4-680	RETAINER, VALVE SPRING	2
		10	14775-MA6-000	SEAT, VALVE SPRING OUTER	2
		11	14781-MA6-000	COTTER, VALVE	4
		12	90012-333-000R	SCREW, TAPPET ADJUSTING	2
		13	90206-001-000	NUT, TAPPET ADJUSTING	2