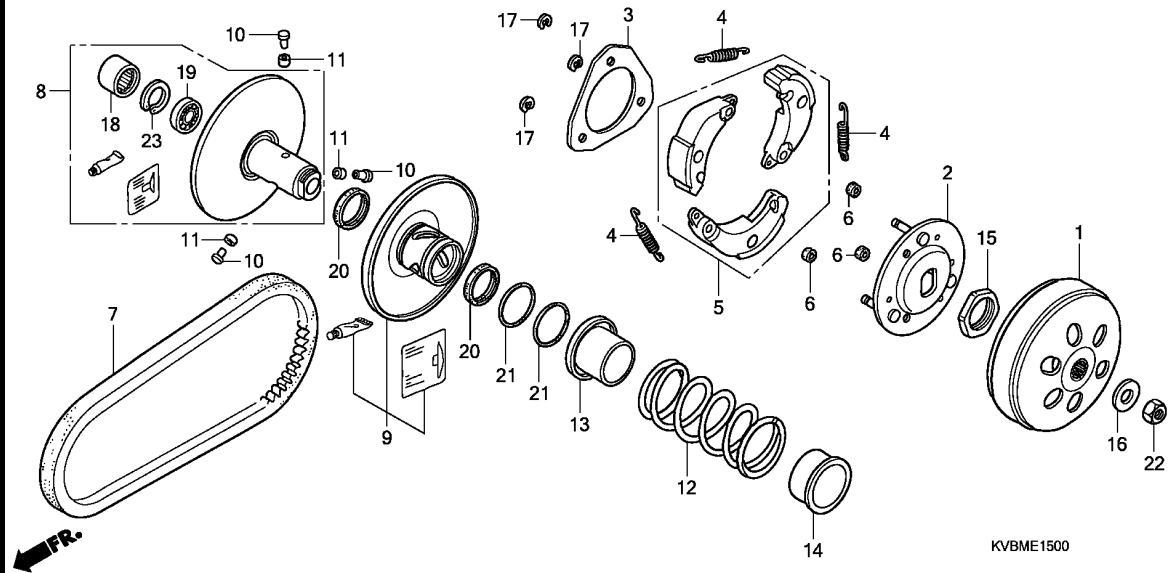


E-15

DRIVEN FACE

D16



Ref. No.	L.O.N.	(Relative ref. Number) Description	F.R.T.
1	2121A0	OUTER, CLUTCH	0.3
5		(2,3,4)	
5	2121A6	WEIGHT SET, CLUTCH	0.6
7	2111B2	BELT, DRIVE	0.4
8	2111A2	FACE, DRIVEN	0.5
9		(10,11,20)	
9	2111A3	FACE, MOVABLE DRIVEN	0.5
12		(13,14,21)	
12	2111A7	SPRING, DRIVEN FACE	0.5
18		(19)	
18	2111A8	BEARING, DRIVEN FACE	0.6
	2111A8A	.Replace 1 bearing add	0.1

Ref. No.	Part No.	Description	Reqd. QTY	Serial No.	Parts catalogue code
			ANC110BFR 7		
1	22100-KVB-900	OUTER COMP., CLUTCH	1		
2	22350-KVB-900	PLATE COMP., DRIVE	1		
3	22361-KVB-900	PLATE, CLUTCH SIDE	1		
4	22401-KVB-900	SPRING, CLUTCH	3		
5	22535-KVB-900	WEIGHT SET, CLUTCH	1		
6	22804-GB2-000	RUBBER, CLUTCH DAMPER	3		
7	23100-KVB-901	BELT, DRIVE	1		
8	23205-KVB-900	FACE SET, DRIVEN	1		
9	23224-KVB-900	FACE SET, MOVABLE DRIVEN	1		
10	23225-KSY-900	PIN, ROLLER GUIDE	3		
11	23226-KVB-900	ROLLER, GUIDE	3		
12	23233-KVB-900	SPRING, DRIVEN FACE	1		
13	23237-GY6-940	COLLAR, SEAL	1		
14	23238-KVB-900	COLLAR, SPRING	1		
15	90202-KN7-670	NUT, SPECIAL, 30MM	1		
16	90441-GY6-940	WASHER, 12.2X29X2.5	1		
17	90605-166-720	CIRCLIP, 7MM	3		
18	91001-KCW-003	BEARING, NEEDLE, 20X29X18	1		
19	91002-GA7-701	BEARING, RADIAL BALL, 6902U	1		
		(NTN)			
	91002-GA7-702	BEARING, RADIAL BALL, 6902U	1		
		(FUJIKOSHI)			
20	91211-KN7-671	SEAL, DRIVEN FACE, 34X41X4	2		
21	91384-KVB-900	O-RING, 38.8X1.9	2		
22	94030-12200	NUT, HEX., 12MM	1		
23	94520-28000	CIRCLIP, INTERNAL, 28MM	1		