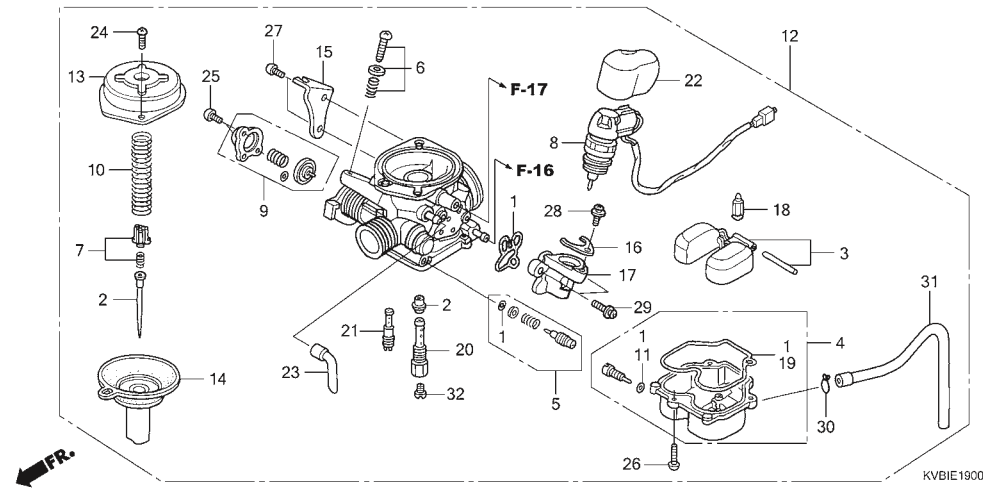


E - 19 Carburetor



Service item	F.R.T.	No.	Part Number	Description	QTY	Notes
2 NEEDLE, JET	0.6	1	16010-KGF-911	GASKET SET	1	
3 (18) FLOAT OR FLOAT VALVE	0.5	2	16012-KVB-N51	NEEDLE SET, JET	1	
4 CHAMBER, FLOAT	0.4	3	16013-KRP-981	FLOAT SET	1	
		4	16015-KVB-901	CHAMBER SET, FLOAT	1	
8 BYSTARTER, AUTO	0.9	5	16016-KRP-981	SCREW SET A	1	
		6	16028-KVB-901	SCREW SET B	1	
12 CARBURETOR ASSEMBLY	0.9	7	16037-KCW-000	PLATE SET, VALVE	1	
14 PISTON, VACUUM	0.2	8	16046-KVB-N51	BYSTARTER ASSY., AUTO	1	
32 (20,21)JET, MAIN	0.5	9	16048-KVB-N51	VALVE SET, AIR CUT	1	
		10	16050-KVB-902	SPRING, COMPRESSION COIL	1	
		11	16075-GHB-640	O-RING, 1.3X4.3	1	
		12	16100-KVB-N51	CARBURETOR ASSY. (AVK2CL A)	1	
		13	16107-GCC-000	TOP	1	
		14	16111-KVB-902	PISTON COMP., VACUUM	1	
		15	16119-KVB-901	STAY, WIRE	1	
		16	16131-ZW9-801	PLATE, SETTING	1	
		17	16140-GFC-901	BODY COMP., BYSTARTER	1	
		18	16155-KJ9-751	VALVE COMP., FLOAT	1	
		19	16163-KGF-911	GASKET, FLOAT CHAMBER	1	
		20	16165-KVB-901	HOLDER, NEEDLE JET	1	