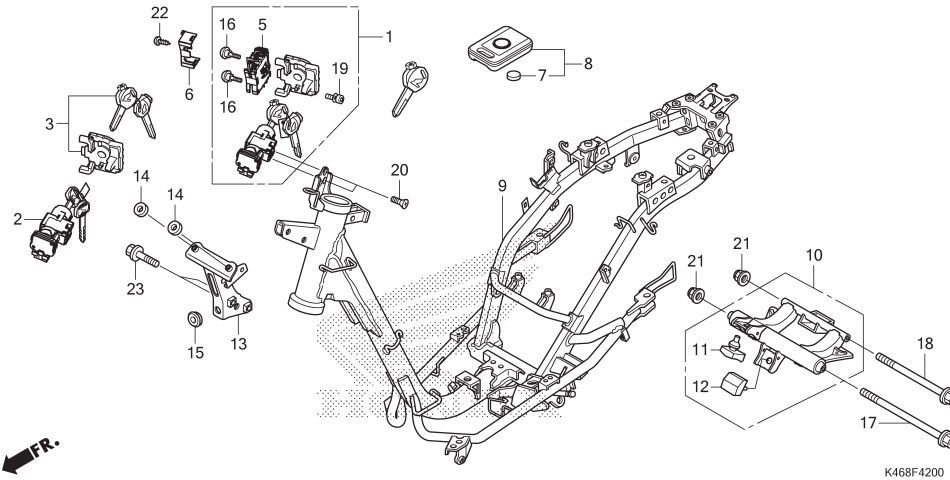


# F-42

# FRAME BODY



No. Ref.	L.O.N.	(Nomor ref. relatif) Deskripsi	F.R.T.
1	6151A1	KEY SET .....	1,90
2	6151A5	SWITCH, COMBINATION & LOCK .....	2,00
3	6151A2	KEY, SHUTTER .....	1,90
		.TERMASUK: Key cutting	
5	6151C3	SWITCH, SEAT .....	0,50
9	410100	BODY, FRAME .....	5,80
		.TERMASUK: Penurunan dan pemasangan mesin	
10	4101B5	LINK, ENGINE HANGER .....	2,00
		.TERMASUK: Penurunan dan pemasangan mesin	

No. Ref.	No. Part	Deskripsi	JUMLAH VARIO 110 PGM-FI (ACI110CB) E	No. Seri	Kode Parts Catalog
1	35010-K46-N00	KEY SET .....	1		
2	35101-K46-N01	SWITCH ASSY., COMBINATION & .....	1		
3	35110-K46-N01	SHUTTER, KEY .....	1		
5	35190-K46-N01	SWITCH ASSY., SEAT OPENER .....	1		
6	35191-K27-V01	COVER, CABLE .....	1		
7	36418-KWN-931	BATTERY (CR2025) .....	1		
8	38420-K46-N01	TRANSMITTER ASSY., ANSWER BACK .....	1		
9	50100-K46-N00	BODY COMP., FRAME .....	1		
10	50350-K16-900	LINK ASSY., ENGINE HANGER .....	1		
11	50352-KVB-900	RUBBER, LINK STOPPER(70) .....	1		
12	50353-K16-900	RUBBER, LINK STOPPER LOWER .....	1		
13	64223-K46-N00	STAY, FR. COVER .....	1		
14	64510-KWW-A00	RUBBER, FR. TOP COVER .....	2		
15	83551-376-001	GROMMET, SIDE COVER .....	1		
16	90101-MT4-000	SCREW, SCREEN SETTING .....	2		
17	90105-KVY-900	BOLT, FLANGE, 10X270 .....	1		
18	90106-GCC-000	BOLT, FLANGE, 10X238 .....	1		
19	90111-MR5-000	BOLT, SOCKET, 5X9 .....	1		
20	90164-KZL-A00	SCREW, U-LOCK FLAT, 6X12 .....	2		
21	90304-KGH-901	NUT, U, 10MM .....	2		
22	93901-24320	SCREW, TAPPING, 4X12 .....	1		
23	95701-08032-00	BOLT, FLANGE, 8X32 .....	2		