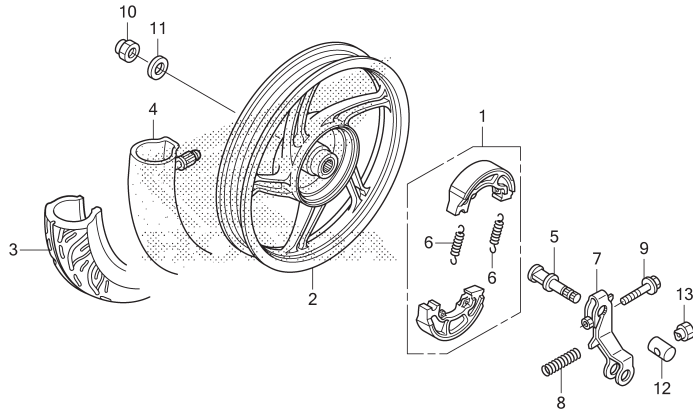


F-22-30

REAR WHEEL



K468F2230

No. Ref.	L.O.N.	(Nomor ref. relatif) Deskripsi	F.R.T.
1	711140	SHOE(PAD) SET, BRAKE :REAR	0,40
2	710118	REAR WHEEL	0,80
3	710142	REAR TIRE(SATU)	0,80
4	7101A7	TUBE, REAR TIRE(SATU)	0,80
5	7111B4	CAM, BRAKE :REAR	0,50
7	7111C4	ARM, BRAKE :REAR	0,50

3

No. Ref.	No. Part	Deskripsi	JUMLAH VARIO 110 PGM-FI (ACI110CB) E	No. Seri	Kode Parts Catalog
1	06430-KWN-900	SHOE SET, BRAKE(JB)	1		
2	42601-KVG-911	WHEEL COMP., RR. *NH303M*	1		
3	42711-KVB-930	TIRE, RR.	1		
4	2751430014NR00	TUBE, TIRE	1		
5	43141-KVB-900	CAM, RR. BRAKE	1		
6	43151-329-000	SPRING, BRAKE SHOE	2		
7	43410-KVB-900	ARM, RR. BRAKE	1		
8	43472-KVB-900	SPRING, RR. BRAKE ARM	1		
9	90112-KVB-900	BOLT, FLANGE, 6X32	1		
10	90305-KVB-901	NUT, U, 16MM	1		
11	90501-KBN-900	WASHER, 16MM	1		
12	95015-32001	JOINT B, BRAKE ARM	1		
13	95015-42000	NUT B, BRAKE ROD ADJUSTING	1		