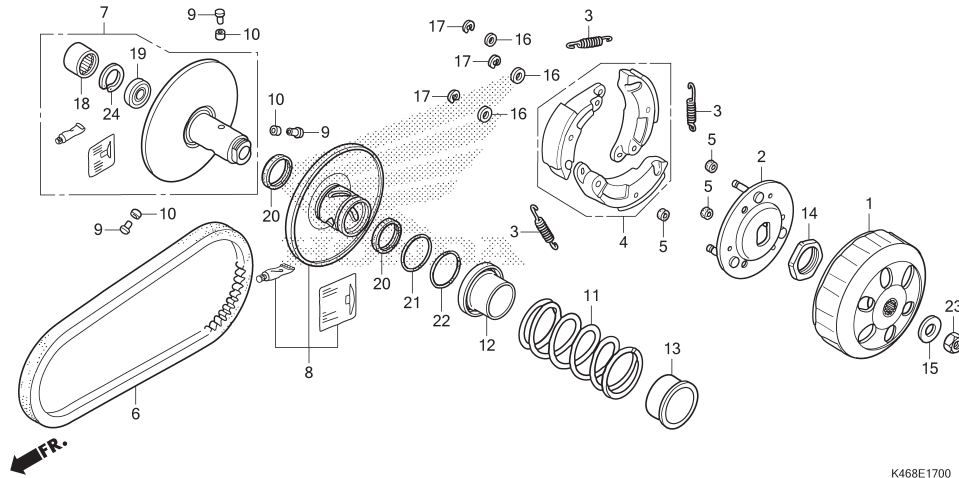


E-17

DRIVEN FACE



K468E1700

| No. Ref. | L.O.N. | (Nomor ref. relatif) Deskripsi | F.R.T. |
|----------|---------|-----------------------------------|--------|
| 1 | 2121A0 | OUTER, CLUTCH | 0,30 |
| 4 | | (2) | |
| 4 | 2121A6 | WEIGHT SET, CLUTCH | 0,60 |
| 6 | 2111B2 | BELT, DRIVE | 0,40 |
| 7 | | (9,10,12) | |
| 7 | 2111A2 | FACE, DRIVEN | 0,50 |
| 8 | | (20,21,22) | |
| 8 | 2111A3 | FACE, MOVABLE DRIVEN | 0,50 |
| 11 | | (13) | |
| 11 | 2111A7 | SPRING, DRIVEN FACE | 0,50 |
| 18 | | (19) | |
| 18 | 2111A8 | BEARING, DRIVEN FACE | 0,60 |
| | 2111A8A | .Ganti 1 bearing tambahkan | 0,10 |

| No. Ref. | No. Part | Deskripsi | JUMLAH VARIO 110 PGM-FI (ACI110CB) E | No. Seri | Kode Parts Catalog |
|----------|---------------|-----------------------------------|-----------------------------------------------|----------|--------------------|
| 1 | 22100-K25-900 | OUTER COMP., CLUTCH | 1 | | |
| 2 | 22350-KVY-900 | PLATE COMP., DRIVE | 1 | | |
| 3 | 22401-KVY-900 | SPRING, CLUTCH | 3 | | |
| 4 | 22535-KZL-A00 | WEIGHT SET, CLUTCH | 1 | | |
| 5 | 22804-148-000 | RUBBER, CLUTCH DAMPER | 3 | | |
| 6 | 23100-K25-901 | BELT, DRIVE(MO) | 1 | | |
| | 23100-KZL-931 | BELT, DRIVE(BA) | 1 | | |
| 7 | 23205-GGC-900 | FACE SET, DRIVEN | 1 | | |
| 8 | 23224-KZL-930 | FACE SET, MOVABLE DRIVE | 1 | | |
| 9 | 23225-GW3-000 | PIN, ROLLER GUIDE | 3 | | |
| 10 | 23226-GCC-C50 | ROLLER, GUIDE | 3 | | |
| 11 | 23233-GGC-900 | SPRING, DRIVEN FACE | 1 | | |
| 12 | 23237-GCC-C50 | COLLAR, SEAL | 1 | | |
| 13 | 23238-GCC-000 | COLLAR, SPRING | 1 | | |
| 14 | 90202-KN7-670 | NUT, SPECIAL, 28MM | 1 | | |
| 15 | 90441-GY6-940 | WASHER, 12.2X29X2.5 | 1 | | |
| 16 | 90442-044-000 | WASHER, THRUST, 6MM | 3 | | |
| 17 | 90454-GB2-000 | CIRCLIP, 6MM | 3 | | |
| 18 | 91109-KVY-901 | BEARING, NEEDLE, 20X29X18 | 1 | | |
| 19 | 91009-KVY-961 | BEARING, RADIAL BALL, 6902U | 1 | | |
| 20 | 91211-GFC-771 | OIL SEAL, 34X39X3 | 2 | | |
| 21 | 91351-GR1-000 | O-RING, 38.5X2 | 1 | | |
| 22 | 91351-642-000 | O-RING, PINION CAP | 1 | | |
| 23 | 94030-12200 | NUT, HEX., 12MM | 1 | | |
| 24 | 94520-28000 | CIRCLIP, INTERNAL, 28MM | 1 | | |