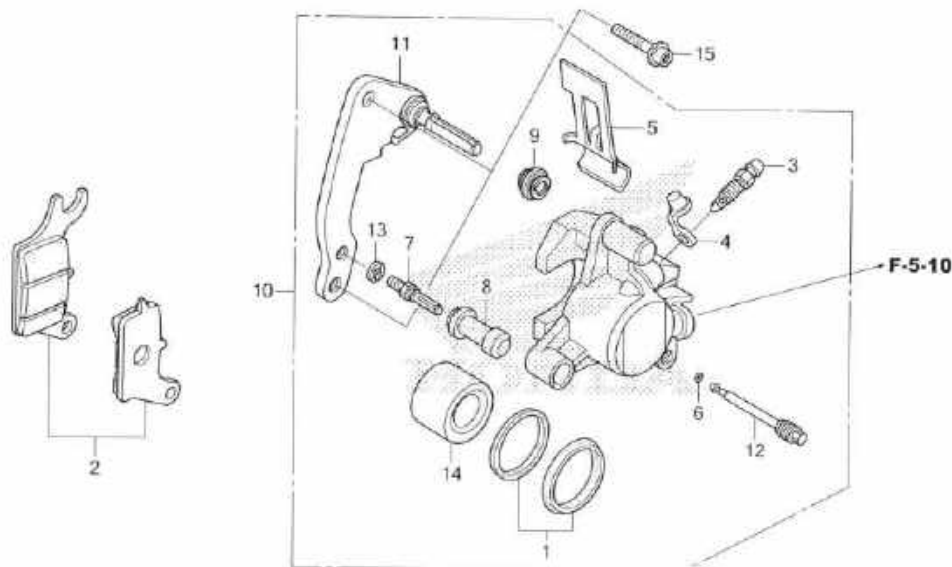


F-18

FRONT BRAKE CALIPER



KB1K11800

No. Ref.	L.O.N.	(Nomor ref. relatif) Deskripsi	F.R.T.
2	711115	SHOE(PAD) SET, BRAKE :FRONT....	0,1
10	711130	CALIPER, FRONT BRAKE.....	0,4
		.TERMASUK: Pembuangan angin palsu	
11	711160	BRACKET, FRONT CALIPER.....	0,2
14		(1)	
	7111d1	PISTON, FRONT BRAKE CALIPER....	0,5
		.TERMASUK: Pembuangan angin palsu	

3

No. Ref.	No. Part	Deskripsi	Jumlah BEAT PGMFI (MCH110) CBS(CBF) 2015(K)	No. Seri	Kode Parts Catalog
1	06451-961-405	SEAL SET, PISTON	1		
2	06455-K46-N21	PAD SET, FR. BRAKE	1		
3	43352-568-003	SCREW, BLEEDER(NI)	1		
	43352-K81-N01	SCREW, BLEEDER	1		
4	43353-461-771	CAP, BLEEDER	1		
5	45108-KVB-T01	SPRING, PAD	1		
6	45111-MAJ-641	RING, STOPPER	1		
7	45131-GZ0-006	BOLT, PIN	1		
	45131-K81-N01	1		
8	45132-166-016	BOOT, PIN BUSH	1		
9	45133-MA3-006	BOOT B	1		
10	45150-K81-N01	CALIPER SUB ASSY., L. FR. ...	1		
11	45190-KZL-A01	BRACKET SUB ASSY., FR. CALIPER	1		
12	45215-KPH-951	PIN, HANGER	1		
13	45216-166-006	WASHER, WAVE	1		
14	45218-KWB-601	PISTON	1		
15	90131-KPH-880	BOLT, TORX, 8X25	2		