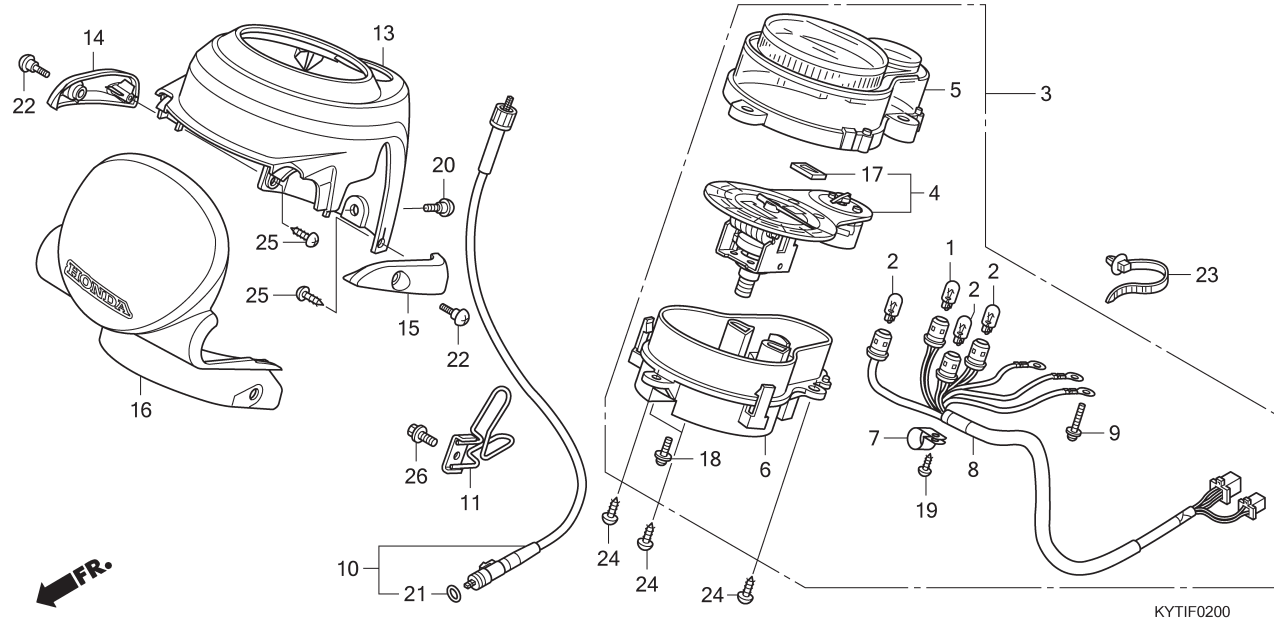


F - 2 Speedometer



Ref No.	(Relative ref. Number) Description	F.R.T.	Ref No.	Part No.	Description	QTY	Notes
			16	53205-KYT-940PFW	COVER A, SPEEDOMETER		
					NH341P PEARL FADELESS WHITE	1	
				53205-KYT-940POV	*P101P* PEARL ODYSSEY VIOLET.....	(1)	
			17	86150-KPG-901	EMBLEM, PRODUCT.....	1	
				86150-KPG-902	EMBLEM, PRODUCT.....	1	
			18	90035-166-008	SCREW-WASHER, SPECIAL, 4X10.....	2	
			19	90109-MZ5-008	SCREW, TAPPING, 4X14.....	1	
			20	90115-KW7-900	SCREW, VISOR SPECIAL SETTING.....	1	
			21	91256-KK3-840	O-RING, 10X1.5.....	1	
			22	91422-KVB-900	SCREW, SPECIAL PAN, 5M.....	2	
			23	91540-KPH-902	CLIP, HARNESS BAND.....	1	
			24	93903-25310	SCREW, TAPPING, 5X16.....	5	
			25	93903-34210	SCREW, TAPPING, 4X10.....	2	
			26	95701-0601200	BOLT, FLANGE, 6X12.....	1	