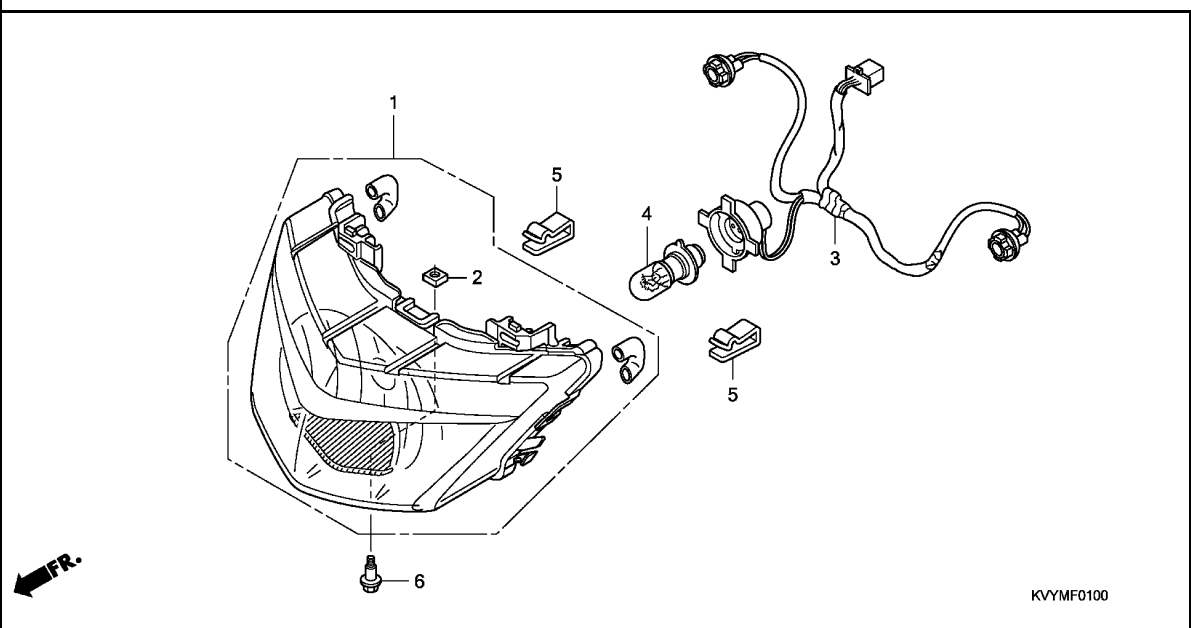


F-1

HEADLIGHT



Ref. No.	L.O.N.	(Relative ref. Number) Description	F.R.T.
1	6161A7	HEADLIGHT UNIT .....	0.3
3	6161H5	SUB CORD, HEADLIGHT .....	0.2
4	616118	BULB, HEADLIGHT .....	0.2



Ref. No.	Part No.	Description	Reqd. QTY		Serial No.	Parts catalogue code
			ANC110 CCM9	ACC110 SCB		
1	33110-KVY-901	HEADLIGHT UNIT .....	1	1		
2	33115-KBA-830	NUT, ADJUST .....	1	1		
3	33130-KVY-901	SOCKET COMP., HEADLIGHT .....	1	1		
4	34901-KVY-901	BULB, HEADLIGHT (STANLEY) (12V 32/32W)	1	1		
5	53209-GAH-000	CLIP, HEADLIGHT .....	2	2		
6	90101-GJ6-000	BOLT, ADJUSTING .....	1	1		