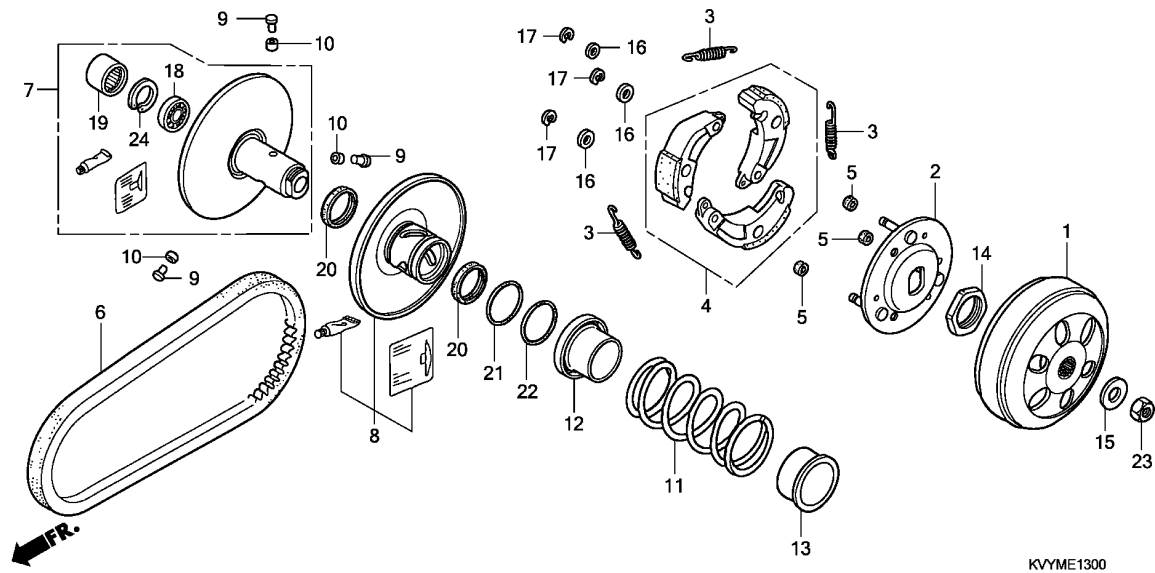


E-13

DRIVEN FACE

D15



Ref. No.	L.O.N.	(Relative ref. Number) Description	F.R.T.
1	2121A0	OUTER, CLUTCH	0.3
4		(2,3)	
4	2121A6	WEIGHT SET, CLUTCH	0.6
6	2111B2	BELT, DRIVE	0.4
7	2111A2	FACE, DRIVEN	0.5
8		(9,10,20)	
8	2111A3	FACE, MOVABLE DRIVEN	0.5
11		(12,13)	
19	2111A7	SPRING, DRIVEN FACE	0.5
19		(18)	
	2111A8	BEARING, DRIVEN FACE	0.6
	2111A8A	.Replace 1 bearing add	0.1

Ref. No.	Part No.	Description	Reqd. QTY		Serial No.	Parts catalogue code
			ANC110 CCM9	ACC110 SCB		
1	22100-KVY-900	OUTER COMP., CLUTCH	1	1		
2	22350-KVY-900	PLATE COMP., DRIVE	1	1		
3	22401-KVY-900	SPRING, CLUTCH	3	3		
4	22535-KVY-900	WEIGHT SET, CLUTCH	1	1		
5	22804-148-000	RUBBER, CLUTCH DAMPER	3	3		
6	23100-KVY-901	BELT, DRIVE	1	1		
7	23205-KVY-900	FACE SET, DRIVEN	1	1		
8	23224-KVY-900	FACE SET, MOVABLE DRIVEN	1	1		
9	23225-KSY-900	PIN, ROLLER GUIDE	3	3		
10	23226-KVB-900	ROLLER, GUIDE	3	3		
11	23233-GCC-000	SPRING, DRIVEN FACE	1	1		
12	23237-GCC-C50	COLLAR, SEAL	1	1		
13	23238-GCC-000	COLLAR, SPRING	1	1		
14	90202-KN7-670	NUT, SPECIAL, 30MM	1	1		
15	90441-GY6-940	WASHER, 12.2X29X2.5	1	1		
16	90442-044-000	WASHER, THRUST, 6MM	3	3		
17	90454-GB2-000	CIRCLIP, 6MM	3	3		
18	91009-KVY-901	BEARING, RADIAL BALL, 6902U	1	-		
	91009-KVY-961	BEARING, RADIAL BALL, 6902U (NSK)	-	1		
19	91109-KVY-901	BEARING, NEEDLE, 20X29X18 (SCHAEFFLER)	1	1		
20	91211-GK8-013	OIL SEAL, 34X39X3(ARAI)	2	-		
	91211-GFC-771	-	2		
21	91351-GR1-000	O-RING, 38.5X2	1	1		

2