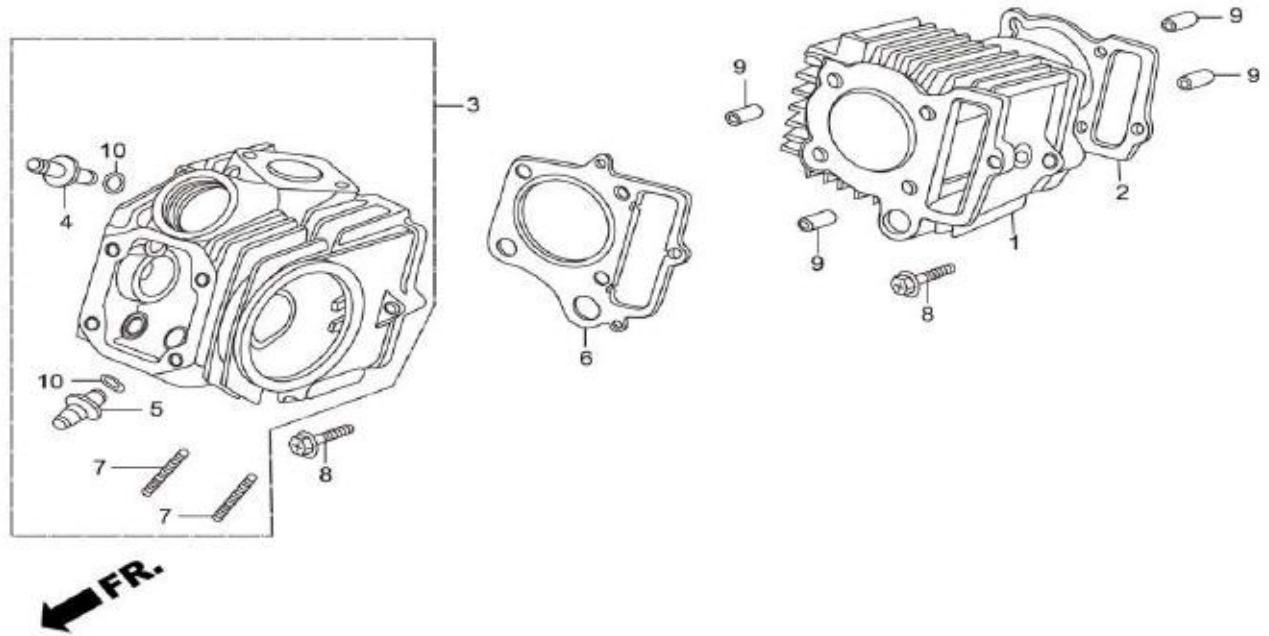


E-2  
CYLINDER/ CYLINDER HEAD



Service Item	F.R.T.	BOM Of Group Number: E-2 Model :: Splendor NXG (Mar, 2010)			
		Ref No.	Part Number	Description	Req.
CYLINDER	1.2	1	12101-KWA-930	CYLINDER	1
GASKET, CYLINDER	1.1	2	12191-KRS-C10	GASKET, CYLINDER	1
HEAD COMP., CYLINDER (INC. REAMING)	1.6	3	12200-KWA-930	HEAD COMP., CYLINDER	1
GUIDE, VALVE	--	4	12237-GB4-305	GUIDE,IN. VALVE	1
(ADD 0.3 FOR EACH)	--	5	12245-GB4-305	GUIDE, EXH. VALVE	1
(EXC. VALVE REFACING)	--	6	12251-KST-942	GASKET, CYLINDER HEAD	1
(ADD MORE 0.2 IF PERFORMED)	--	6A	18640-KCC-940	PIPE, COMP. AIR FEED	1
GASKET CYLINDER HEAD	0.9	6B	18645-MT4-730	GASKET, AIR FEED PIPE	1
BOLT STUD 6 X 32	0.3	7	90033-041-020	BOLT, STUD, 6 X 32	2
(ADD 0.1 FOR EACH)	--	8	90081-GFP-900	BOLT, SOCKET FLANGE 6x23	2
		9	90701-GF6-000	PIN, DOWEL, 8 X 14	4
		10	91305-028-150	O'-RING, 9 X1.6	2