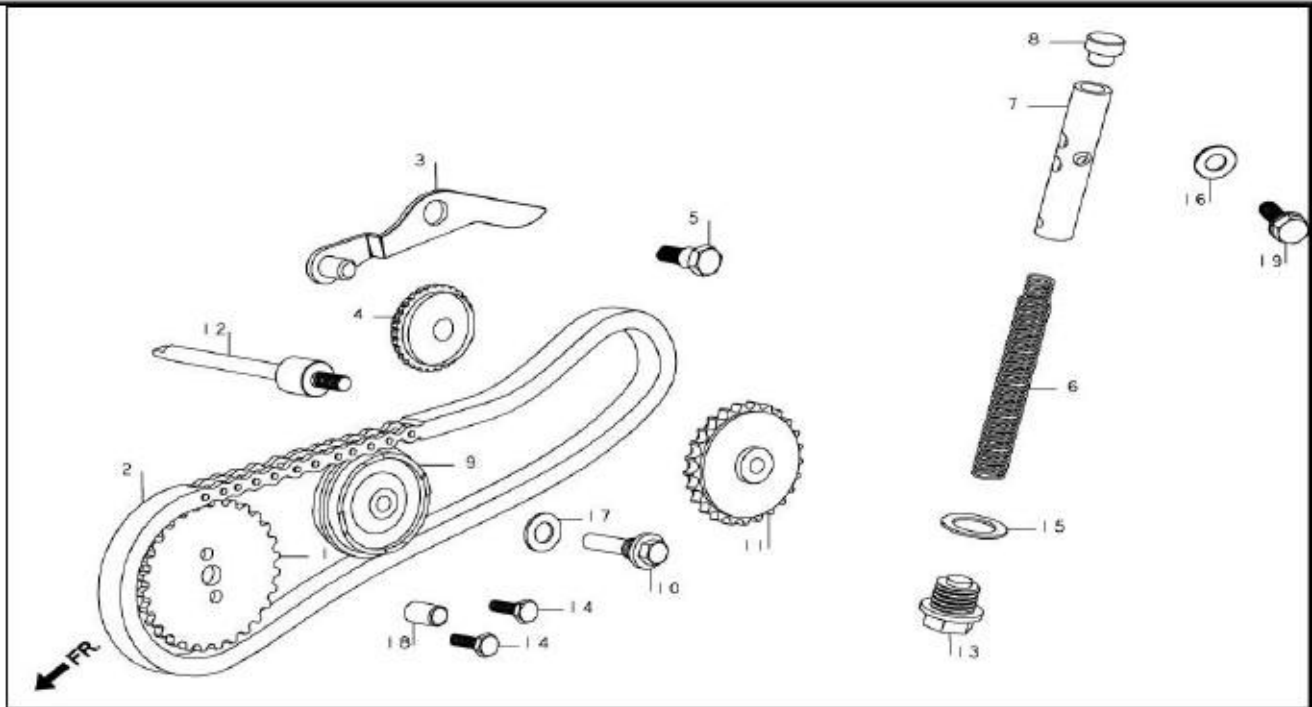


E-4
CAM CHAIN TENSIONER



Service Item	F.R.T.	BOM Of Group Number: E-4 Model :: Splendor (Dec, 1993)			
		Ref No.	Part Number	Description	Req.
SPROCKET, CAM (28T)	0.4	1	14321-GB6-900	SPROCKET, CAM (28T)	1
ARM COMP., CAM CHAIN TENSIONER	--	2	14401-178-000	CHAIN, CAM (84L)	1
ROLLER, CAM CHAIN TENSIONER	--	3	14500-035-020	ARM COMP. ,CAM CHAIN TENSIONER	1
CHAIN, CAM (84L)	1.4	4	14502-086-000R	ROLLER, CAM CHAIN TENSIONER	1
PUSH ROD, COMP., TENSIONER	0.3	5	14531-035-000	PIVOT, CAM CHAIN TENSIONER	1
ROLLER COMP., CAM CHAIN GUIDE	1.0	6	14541-GB4-680	SPRING, CAM CHAIN TENSIONER	1
SPROCKET , CAM CHAIN GUIDE (25T)	1.6	7	14550-GB0-910	PUSH ROD, COMP., TENSIONER	1
SPINDLE, CAM CHAIN GUIDE	--	8	14566-086-030	HEAD, CAM CHAIN TENSIONER, PUSH ROD	1
		9	14610-086-000R	ROLLER COMP., CAM CHAIN GUIDE	1
		10	14615-035-000	PIN, CAM CHAIN GUIDE ROLLER	1
		11	14670-035-030L	SPROCKET, CAM CHAIN GUIDE	1
		12	14675-178-000	SPINDLE, CAM CHAIN GUIDE SPROCKET	1
		13	90081-035-000	BOLT, SEALING, 14 MM	1
		14	90083-GB6-900	BOLT, KNOCK, 5 MM	2
		15	90441-035-000	WASHER, SEALING, 14 MM	1
		16	90461-357-000	WASHER, SEALING, 12 MM	1
		17	90481-035-000	WASHER, 8 MM	1
		18	90702-GB6-910	PIN, DOWEL,8 X 12	1
		19	95701-06018-08	BOLT, FLANGE, 6 X 18	1