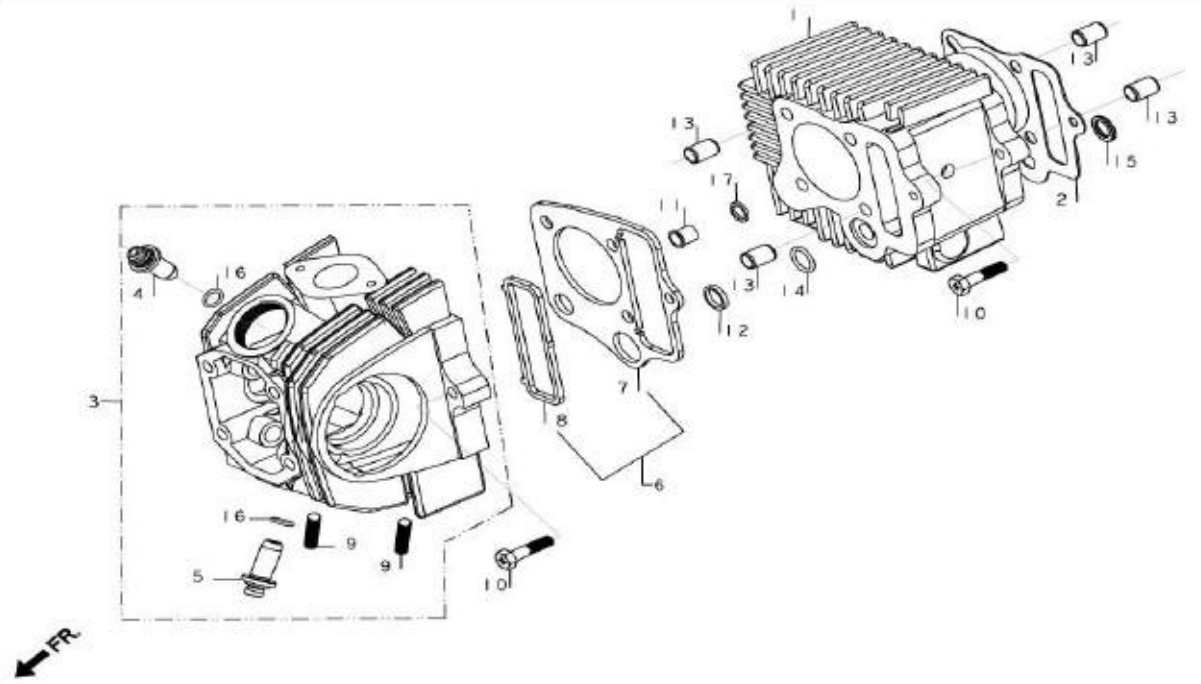


E-2
CYLINDER



Service Item	F.R.T.	BOM Of Group Number: E-2 Model :: Splendor (Dec, 1993)			
		Ref No.	Part Number	Description	Req.
CYLINDER	1.2	1	12101-KCC-940	CYLINDER	1
GASKET, CYLINDER	1.1		12102-KCC-940	CYLINDER(I-OVER SIZE)	1
HEAD COMP., CYLINDER	1.6		12103-KCC-940	CYLINDER(II- OVERSIZE)	1
GUIDE, VALVE	--	2	12191-GF6-000	GASKET, CYLINDER	1
(INC. REAMING)	--	3	12200-198-900	HEAD COMP., CYLINDER	1
(ADD 0.3 FOR EACH)	--	4	12237-GB4-305	GASKET, CYLINDER HEAD	1
(EXC. VALVE REFACING)	--	5	12245-GB4-305	GASKET, CYLINDER HEAD	1
(ADD MORE 0.2 IF PERFORMED)	--	6	12250-GF6-000	SEAL, CAM CHAIN CHAMBER	1
GASKET, CYLINDER HEAD	0.9	7	12251-GF6-004	BOLT, STUD, 6 X 32	1
BOLT, STUD, 6 X 32	0.3	8	12255-GF6-000	BOLT,HS. 6MM	1
(ADD 0.1 FOR EACH)	--	9	90033-041-020	COLLAR, 9.5 MM	2
		10	90082-035-000	COLLAR ,14.8MM	2
		11	90602-GB0-900	PIN, DOWEL, 8 X 14	1
		12	90603-GF6-000	O- RING,14.5MM	1
		13	90701-GF6-000	PACKING ,RUBBER ,16MM	1
		14	91301-GF6-000	`O'- RING, 9 X1.6	1
		15	91303-GF6-000	GASKET,RUBBER, 9MM	1
		16	91305-028-150		2
		17	91306-GF6-000		1