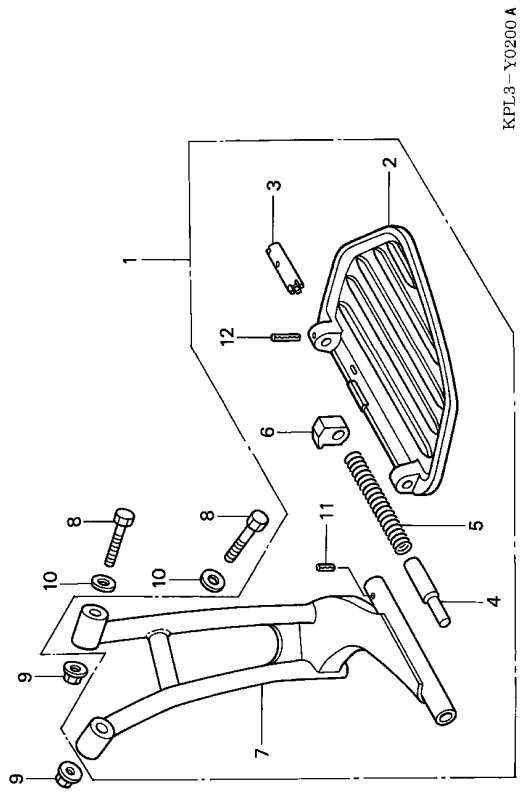


Ref. No. L.O.N. (Relative ref. Number) F.R.T. Description

- 1 4101R7 STEP ASSY., PILLION
- 2 4101R8 BAR, PILLION STEP(A) :LEFT ...
- 7 4101C9 BRACKET, PILLION STEP :LEFT ..



Ref. No.	Part No.	Description	Reqd. QTY	Serial No.	Parts catalogue code
1	83520-KPL-900	STEP ASSY., SARI	1		
2	83521-KPL-900	PLATE, SARI STEP	1		
3	83522-KPL-900	PIN A, SARI STEP	1		
4	83523-KPL-900	PIN B, SARI STEP	1		
5	83524-KPL-900	SPRING, STEP RETURN	1		
6	83526-KPL-900	STOPPER, STEP RUBBER	1		
7	83530-KPL-900	STEP COMP., SARI	1		
8	92201-08045-0A	BOLT, HEX., 8X45	2		
9	94050-08000	NUT, FLANGE, 8MM	2		
10	94103-08800	WASHER, PLAIN, 8MM	2		
11	94305-30142	PIN, SPRING, 3X14	1		
12	94305-30282	PIN, SPRING, 3X28	1		