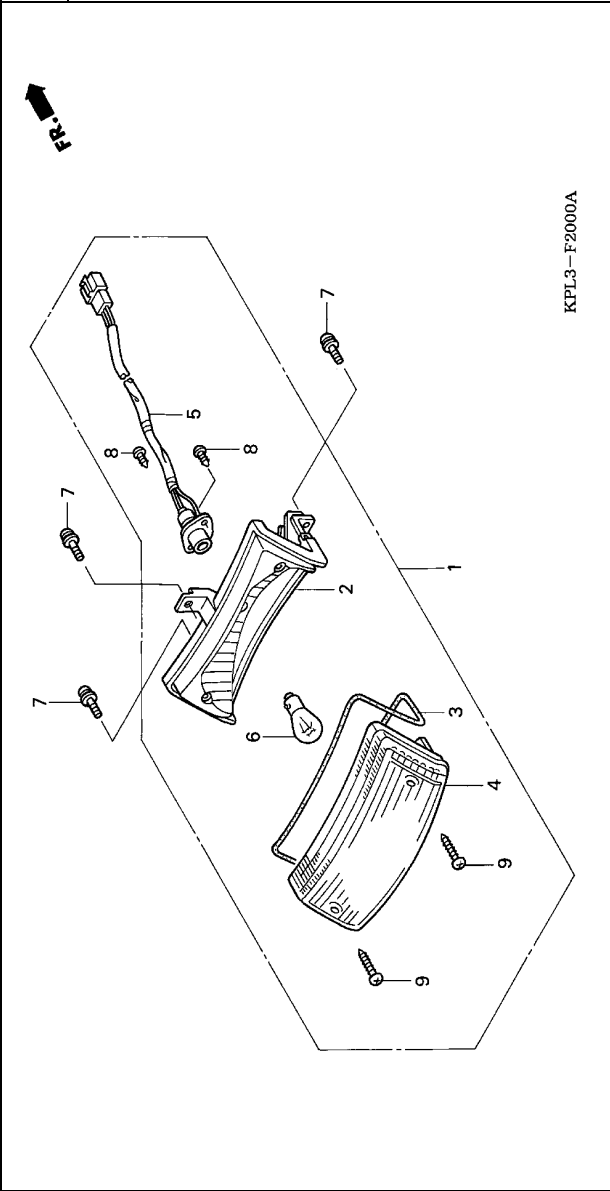


| Ref. No. | L.O.N. | (Relative ref. Number) | Description        | F.R.T. |
|----------|--------|------------------------|--------------------|--------|
| 1        | 6161H2 |                        | TAILLIGHT ASSEMBLY | 0.4    |
| 2        | 6161E2 |                        | BASE, TAILLIGHT    | 0.4    |
| 5        | 6161E7 |                        | SOCKET, TAILLIGHT  | 0.4    |
| 6        | 6161G1 |                        | BULB, TAILLIGHT    | 0.1    |



| Ref. No. | Part No.       | Description                 | Reqd. QTY | Serial No. | Parts catalogue code |
|----------|----------------|-----------------------------|-----------|------------|----------------------|
| 1        | 33701-KPL-901  | TAILLIGHT ASSY.             | 1         | -          |                      |
| 2        | 33704-KPL-901  | BASE, TAILLIGHT             | 1         | -          |                      |
| 3        | 33705-KPL-901  | PACKING                     | 1         | -          |                      |
| 4        | 33720-KPL-901  | LENS COMP., TAILLIGHT       | 1         | -          |                      |
| 5        | 33730-KPL-901  | SOCKET COMP., TAILLIGHT     | 1         | -          |                      |
| 6        | 34906-GBG-750  | BULB, TAILLIGHT (12V 10/5W) | 1         | -          |                      |
| 7        | 93894-05010-08 | SCREW-WASHER, 5X10          | 3         | -          |                      |
| 8        | 93901-22080    | SCREW, TAPPING, 3X6         | 2         | -          |                      |
| 9        | 93901-24480    | SCREW, TAPPING, 4X16        | 2         | -          |                      |