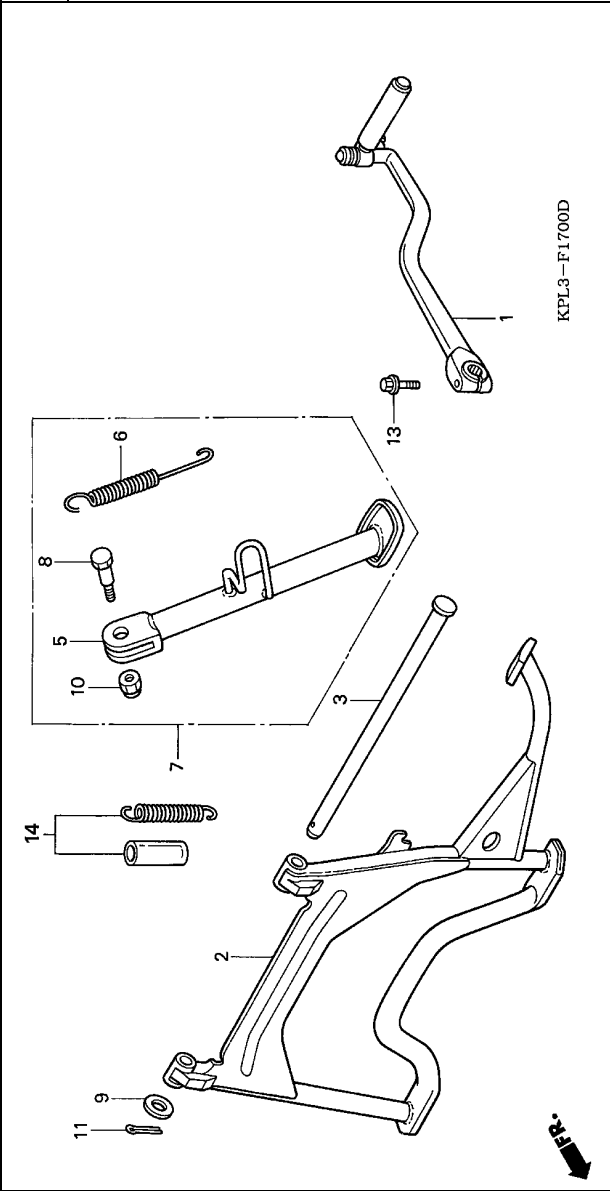


Ref. No.	L.O.N.	(Relative ref. Number)	Description	F.R.T.
1	112107	ARM, KICK STARTER	0.1
2	410175	STAND, MAIN	0.3
5	410180	BAR, SIDE STAND	0.2
6	410182	SPRING, SIDE STAND	0.1
14	410176	SPRING, MAIN STAND	0.2



Ref. No.	Part No.	Description	Reqd. QTY	Serial No.	Parts catalogue code
1	28300-KPL-900	ARM ASSY., KICK STARTER	1		
2	50500-KPL-900	STAND COMP., MAIN	1		
5	50500-KRP-980	-		
3	50503-GCC-000	SHAFT, MAIN STAND	1		
5	50530-KPL-900	BAR COMP., SIDE STAND	(1)	(1)	
6	50536-KPL-900	SPRING, SIDE STAND	(1)	(1)	
7	50560-KPL-900	STAND SET, SIDE	(1)	(1)	
8	90109-KPL-900	BOLT, SIDE STAND PIVOT	(1)	(1)	
9	90113-GCC-000	WASHER	1		
	94102-12000	WASHER, PLAIN, 12MM	-		
10	90304-KCS-920	NUT, U, 10MM	(1)	(1)	
11	94201-25250	PIN, SPLIT, 2.5X25	1		
13	93701-06022-07	BOLT, FLANGE, 6X22	1		
14	50505-GCC-000	SPRING ASSY., MAIN STAND	1		