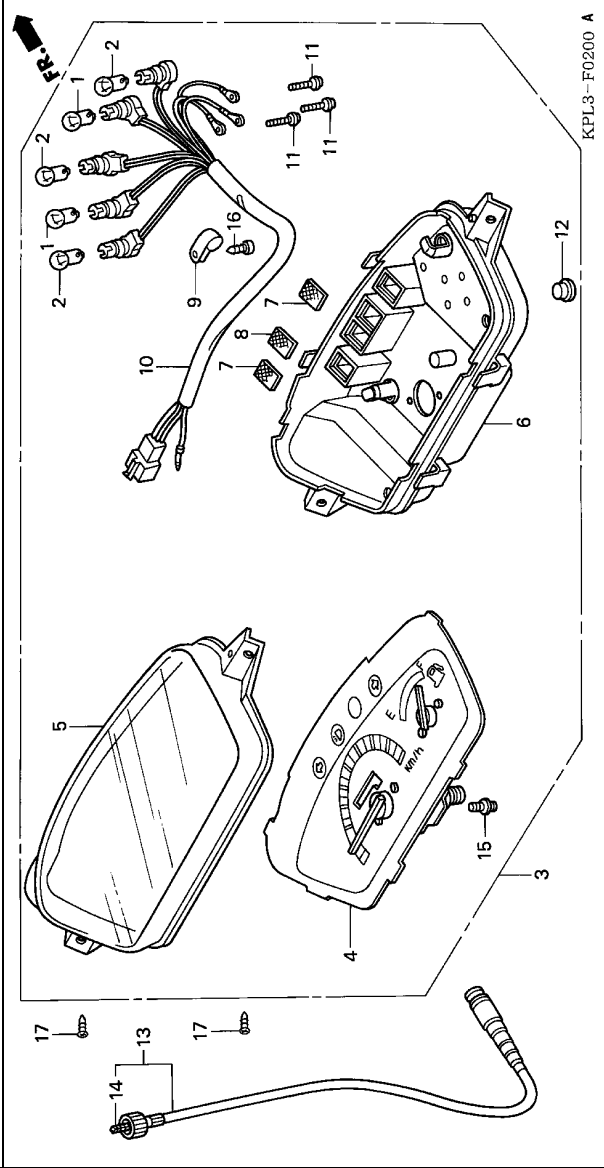


Ref. No.	L.O.N.	(Relative ref. Number)	Description	F.R.T.
1	616163	(2)	BULB, METER	0.2
.NOTE: Same time for two units or more				
3	8121A1		METER ASSY., COMBINATION	0.3
4	8121A2		METER, COMBINATION	0.4
5	8121B7		LENS, METER	0.3
6	8121B3		CASE, METER	0.4
10	616164		SOCKET ASSY., METER BULB	0.4
13	811160		CABLE, SPEEDOMETER	0.6
14	8111B2		CABLE, SPEEDOMETER INNER	0.1



Ref. No.	Part No.	Description	Reqd. QTY	Serial No.	Parts catalogue code
1	34908-KPL-901	BULB (12V/3.0W)	2		
2	34909-KPL-901	BULB (12V/1.7W)	2		
3	37200-KPL-901	SPEEDOMETER ASSY.	3		
4	37200-KPL-841	1		
5	37210-KPL-901	METER COMP., SPEED & FUEL	1		
6	37210-KPL-841	1		
7	37211-KPL-901	LENS	1		
8	37212-KPL-901	CASE	1		
9	37213-KPL-901	LENS, PILOT TURN	2		
10	37213-KRP-901	2		
11	37214-KPL-901	LENS, PILOT HIGH BEAM	1		
12	37215-MB6-831	CLAMP	1		
13	37224-KPL-901	SOCKET COMP.	1		
14	37305-KPL-901	SCREW, SPECIAL, 3X17	3		
15	37618-KPL-901	CAP	1		
16	44830-KPL-900	CABLE COMP., SPEEDOMETER	1		
17	44831-KPL-900	CABLE, INNER	1		
18	90035-166-008	SCREW-WASHER, SPECIAL, 4X10	2		
19	93903-24420	SCREW, TAPPING, 4X16	1		
20	93903-25320	SCREW, TAPPING, 5X16	2		